

Save This Manual
For Future Reference

SEARS

owner's
manual

Model No.
113.299210

Saw with Legs
Two Table Extensions
Motor
Rip Fence and
Miter Gauge

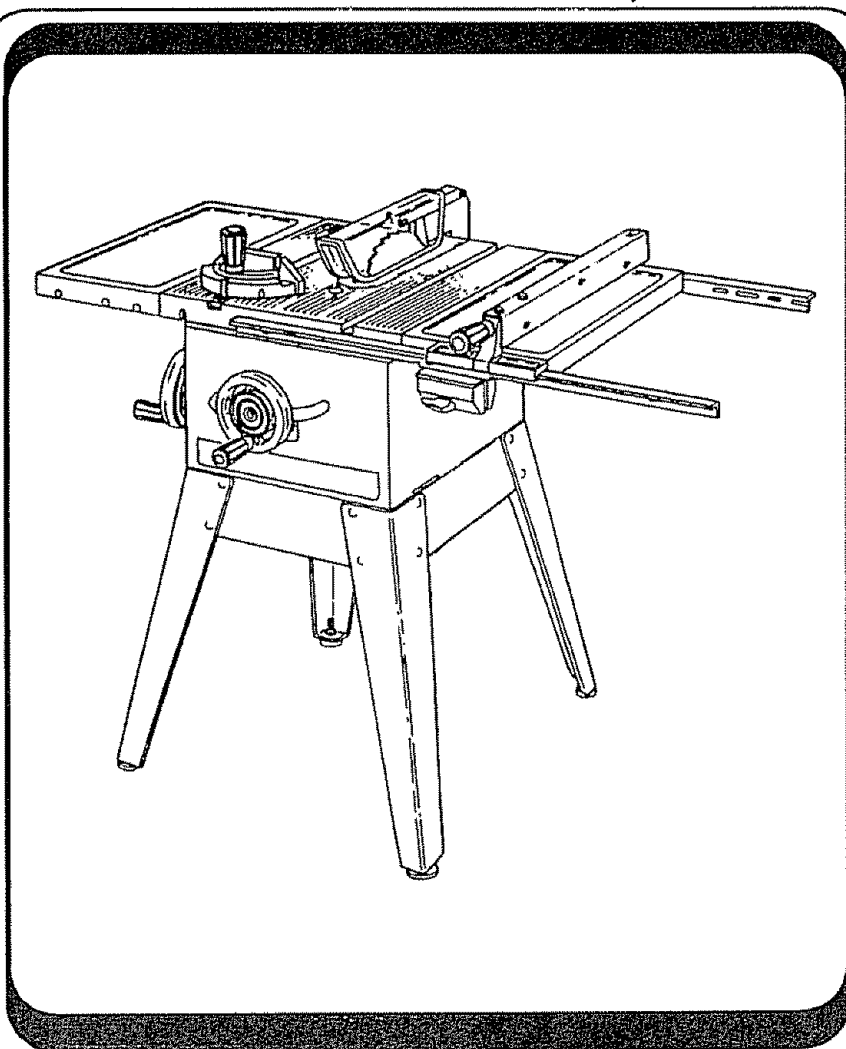
Serial

Number _____

Model and serial numbers
may be found on the left rear
side of the base.

You should record both model
and serial number in a safe
place for future use.

**FOR YOUR
SAFETY**
**READ ALL
INSTRUCTIONS
CAREFULLY**



CRAFTSMAN®

**10 INCH
DIRECT DRIVE
TABLE SAW**

- assembly
- operating
- repair parts

Sears, Roebuck and Co., Hoffman Estates, IL. 60179 U.S.A.

FULL ONE YEAR WARRANTY ON CRAFTSMAN STATIONARY TOOL

If this stationary tool fails due to a defect in material or workmanship within one year from the date of purchase, CONTACT THE NEAREST SEARS SERVICE CENTER IN THE UNITED STATES and Sears will repair it free of charge.

This warranty applies only while this product is in the United States.

If this Table Saw is used for commercial or rental purposes, this warranty will apply for ninety days from the date of purchase.

This warranty gives you specific legal rights, and you may also have other rights which vary from state to state.

Sears, Roebuck and Co., D/817 WA Hoffman Estates, IL. 60179

Safety Instructions For Table Saw

Safety is a combination of common sense, staying alert and knowing how your table saw works. Read this manual to understand this table saw.

Safety Signal Words

DANGER: means if the safety information is not followed someone **will** be seriously injured or killed.

WARNING: means if the safety information is not followed someone **could** be seriously injured or killed.

CAUTION: means if the safety information is not followed someone **may** be injured.

Before Using The Saw

WARNING: to avoid mistakes that could cause serious, permanent injury, do not plug the table saw in until the following steps have been satisfactorily completed.

- Completely assemble and align saw (See "Assembly" section).
- Learn the use and function of the ON-OFF switch blade guard, spreader, anti-kickback device, miter gauge, rip fence, table insert, blade elevation and

blade tilt controls (See "Getting to Know Your Table Saw" section).

- Review and understand all safety instructions and operating procedures in this manual.
- Review the maintenance methods for this saw (See "Maintaining Your Table Saw" section)).
- Find and read all the warning labels found on the saw (shown below).



E23417
120 Volts
3450 RPM
11.5 Amps
60 Hz, 1 Ph
10" Blade

WARNING

1. Read manual before using saw.
2. Wear safety goggles that meet ANSI Z87.1 Standards.
3. Do not reach around or over saw blade.
4. Keep blade guard down and in place for through cuts.
5. Do not do freehand cuts.
6. Keep hands out of path of saw blade.
7. When ripping, use push stick when fence is set 2 inches or more from blade.
8. Know how to reduce the risk of kickback. See instructions for ripping.
9. When ripping, use push block and auxiliary fence when fence is set between 1/2 and 2 inches from blade. Do not make rip cuts narrower than 1/2 inch.
10. Turn power off and wait for blade to stop before adjusting or servicing.

When Installing Or Moving The Saw

Avoid Dangerous Environment.

- Use the saw in a dry, indoor place protected from rain.
- Keep work area well lighted.
- Use recommended accessories. Consult the owner's manual for recommended accessories. The use of improper accessories may cause risk of injury to persons

To avoid injury from unexpected saw movement.

- Bolt or clamp the saw to firm level surface where there is plenty of room to handle and properly support the work-piece (See "Assembly-Mounting Your Saw" section).
- Support the saw so the table is level and the saw does not rock.

- When using a table extension longer than 12" attached to any side of the saw, bolt the saw to a stationary surface or prop up the outer end of the extension from the floor or bench top to keep the saw from tipping.
- Put the saw where neither operator nor bystanders must stand in line with the sawblade.
- To avoid injury from electrical shock, make sure your fingers do not touch the plug's metal prongs when plugging in or unplugging the saw.
- **Never Stand On Tool.** Serious injury could occur if the tool tips or you accidentally hit the cutting tool. Do not store anything above or near the tool where anyone might stand on the tool to reach them.

Before Each Use

Inspect your saw.

- To avoid injury from accidental starting, turn the switch off, unplug the saw, and remove the switch key before raising or removing the guard, changing the cutting tool, changing the setup, or adjusting anything. Make sure switch is in OFF position before plugging in.
- Check for alignment of moving parts, binding of moving parts, breakage of parts, saw stability, and any other conditions that may affect the way the saw works.
- If any part is missing, bent or broken in any way, or any electrical part does not work properly, turn the saw off and unplug the saw.

- Replace damaged or missing parts before using the saw again.
- Keep guards in place and in working order.
- Use the sawblade guard, spreader and anti-kickback pawls for any thru-sawing (whenever the blade comes through the top of the workpiece). Make sure the anti-kickback pawls work properly. Make sure the spreader is in line with sawblade (See "Assembly-Aligning Blade Guard" section).
- Remove adjusting keys and wrenches. Form a habit of checking for and removing keys and adjusting wrenches from table top before turning saw on.
- Make sure all clamps and locks are tight and no parts have excessive play.

To Avoid Injury From Jams, Slips Or Thrown Pieces (Kickbacks Or Throwbacks)

Inspect Your Blade.

- Choose the right blade or cutting accessory for the material and the type of cutting you plan to do.
- Use The Right Tool. Don't force tool or attachment to do a job it was not designed for.
- Never use grinding wheels, abrasive cutoff wheels, friction wheels (metal cutting blades) wire wheels or buffing wheels. They can fly apart explosively.
- Cut only wood, wood like or plastic materials. Do not cut metal.
- Choose and inspect your cutting tool carefully:
 - To avoid cutting tool failure and thrown shrapnel (broken pieces of blade), use only 10" or smaller blades or other cutting tools marked for speeds of 5000 rpm or higher.
 - Always use unbroken, balanced blades designed to fit this saw's 5/8 inch arbor.
 - When thru-sawing (making cuts where the blade comes through the workpiece top), always use a 10 inch diameter blade. This keeps the spreader closest to the blade.
 - Do not over tighten arbor nut. Use arbor wrenches to "snug" it securely.
 - Use only sharp blades with properly set teeth. Consult a professional blade sharpener when in doubt.
 - Keep blades clean of gum and resin
 - Never use the saw without the proper blade insert.

Inspect your work area.

- Keep work area clean.
- Cluttered areas and benches invite accidents. Floor must not be slippery from wax or sawdust
- To avoid burns or other fire damage, never use the saw near flammable liquids, vapors or gases.
- To avoid injury, don't do layout, assembly, or setup work on the table while blade is spinning. It could cut or throw anything hitting the blade

Plan your work

- Use the right tool. Don't force tool or attachment to do a job it was not designed for

Inspect your workpiece.

- Make sure there are no nails or foreign objects in the part of the workpiece to be cut.
- When cutting irregularly shaped workpieces, plan your work so it will not slip and pinch the blade:
- A piece of molding for example, must lie flat or be held by a fixture or jig that will not let it twist, rock or slip while being cut. Use jigs or fixtures where needed to prevent workpiece from shifting
- Use a different, better suited type of tool for work that can't be made stable.

Plan your cut.

- To avoid kickbacks and throwbacks - when a part or all of the workpiece binds on the blade and is thrown violently back toward the front of the saw:
 - Never cut **Freehand**. Always use either a rip fence, miter gauge or fixture to position and guide the work, so it won't twist or bind on the blade and kick back.
 - Make sure there's no debris between the workpiece and its supports
- Use extra caution with large, very small or awkward workpieces.
- Use extra supports (tables, saw horses, blocks, etc.) for any workpieces large enough to tip when not held down to the table top. Never use another person as a substitute for a table extension, or as additional support for a workpiece that is longer or wider than the basic saw table, or to help feed, support or pull the workpiece.
- Never confine the piece being cut off, that is, the piece not against the rip fence, miter gauge or fixture. Never hold it, clamp it, touch it, or use length stops against it. It must be free to move. If confined, it could get wedged against the blade and cause a kickback or throwback.
- Never cut more than one workpiece at a time.
- Never turn your table saw "ON" before clearing everything except the workpiece and related support devices off the table.

Safety Instructions For Table Saws (continued)

Plan Ahead To Protect Your Eyes, Hands, Face and Ears

Dress for safety

- Do not wear loose clothing, gloves, neckties or jewelry (rings, wrist watches). They can get caught and draw you into moving parts.
- Wear nonslip footwear.
- Tie back long hair.
- Roll long sleeves above the elbow.
- Noise levels vary widely. To avoid possible hearing damage, wear ear plugs or muffs when using table saw for hours at a time.
- Any power saw can throw foreign objects into the eyes. This can result in permanent eye damage. Wear safety goggles (not glasses) that comply with ANSI Z87.1 (shown on package). Everyday eyeglasses have only impact resistant lenses. They are not safety glasses. Safety goggles are available at Sears retail stores. Glasses or goggles not in compliance with ANSI Z87.1 could seriously hurt you when they break.



- For dusty operations, wear a dust mask along with safety goggles.

Plan the way you will push the workpiece through.

- **Never pull the workpiece through.** Start and finish the cut from the front of the table saw.
- **Never put your fingers or hands in the path** of the sawblade or other cutting tool.
- **Never reach in back** of the cutting tool with either hand to hold down workpiece, support the workpiece, remove wood scraps, or for any other reason.
- Avoid hand positions where a sudden slip could cause fingers or hand to move into a sawblade or other cutting tool.
- Don't overreach. Always keep good footing and balance.
- Push the workpiece against the rotation of the blade, never feed material into the cutting tool from the rear of the saw.
- Always push the workpiece all the way past the sawblade.
- As much as possible, keep your face and body to one side of the sawblade, out of line with a possible kickback or throwback.
- Set the cutting tool as low as possible for the cut you're planning.

Avoid Accidental Starting.

- Make sure switch is "OFF" before plugging saw into a power outlet.

Whenever Sawblade Is Spinning

WARNING: Don't allow familiarity (gained from frequent use of your table saw) to cause a careless mistake. Always remember that a careless fraction of a second is enough to cause a severe injury.

- Before actually cutting with the saw, watch it while it runs for a short while. If it makes an unfamiliar noise or vibrates a lot, stop immediately. Turn the saw off. Unplug the saw. Do not restart until finding and correcting the problem.
- Make sure the top of the arbor or cutting tool turns toward the front of the saw.

Keep Children Away.

- Keep all visitors a safe distance from the table saw.
- Make sure bystanders are clear of the table saw and workpiece.

Don't Force Tool.

- Let the blade reach full speed before cutting.
- It will do the job better and safer at its designed rate.
- Feed the workpiece into the saw only fast enough to let the blade cut without bogging down or binding.

Before freeing jammed material.

- Turn switch "OFF".
- Wait for all moving parts to stop.
- Unplug the saw.
- Check blade, spreader and fence for proper alignment before starting again.

To avoid throwback of cut off pieces.

- Use the guard assembly.

To remove loose pieces beneath or trapped inside the guard.

- Turn saw "OFF".
- Remove switch key.
- Wait for blade to stop before lifting the guard.

Before Leaving The Saw.

- Turn the saw off.
- Wait for blade to stop spinning.
- Unplug the saw.
- Make workshop child-proof. Lock the shop. Disconnect master switches. Remove the yellow switch key. Store it away from children and others not qualified to use the tool.

Additional Safety Instructions

Rip Type Cuts.

- Never use the miter gauge when ripping.
- Use a push stick whenever the fence is 2 or more inches from the blade.
- When thru-sawing, use an auxiliary fence and push block whenever the fence must be between 1/2 and 2 inches of the blade.
- Never thru-saw rip cuts narrower than 1/2 inch. (See "Basic Saw Operations-Ripping and Bevel Ripping" sections.)
- Never rip anything shorter than 10" long
- When using a push stick or push block, the trailing end of the board must be square. A push stick or block against an uneven end could slip off or push the work away from the fence.
- A Featherboard can help guide the workpiece. (see "Basic Saw Operation-Using Featherboards for Thru-Sawing." section)
- Always use featherboards for any non thru rip type cuts. (See "Basic Saw Operations - Using Featherboards for Non-Thru Sawing" section.

Before Starting.

- To avoid kickbacks and slips into the blade, make sure the rip fence is parallel to the sawblade.
- Before thru-sawing, check the anti-kickback pawls. The pawls must stop a kickback once it has started. Replace or sharpen anti-kickback pawls when points become dull. (See "Maintaining Your Table Saw - Anti-Kickback Pawls" section)
- Plastic and composition (like hardboard) materials may be cut on your saw. However, since these are usually quite hard and slippery, the anti-kickback pawls may not stop a kickback. Therefore, be especially careful in your setup and cutting procedures.

While Thru-sawing.

- To avoid kickbacks and slips into the blade, always push forward on the section of the workpiece between the sawblade and the rip fence. Never push forward on the piece being cut off.

Crosscut Type Cuts.

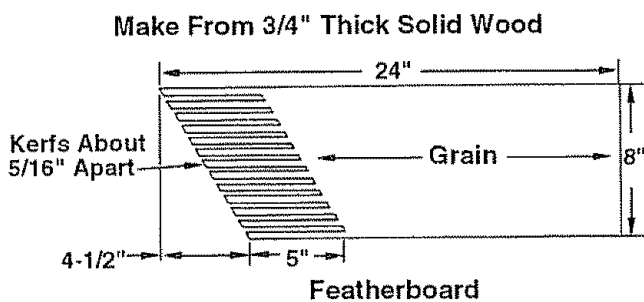
- Never use the rip fence when crosscutting.
- An auxiliary wood facing attached to the miter gauge can help prevent workpiece twisting and throwbacks. Attach it to the slots provided. Make the facing long enough and big enough to support your work. Make sure, however, it will not interfere with the sawblade guard.

Before Starting.

- Use jigs or fixtures to help hold any piece too small to extend across the full length of the miter gauge face during the cut. This lets you properly hold the miter gauge and workpiece and helps keep your hands away from the blade

While Cutting

- To avoid blade contact, always hold the miter gauge as shown in "Basic Saw Operations - Using The Miter Gauge".



Glossary of Terms for Woodworking

Anti-Kickback Pawls

Device which, when properly maintained, is designed to stop the workpiece from being thrown towards the front of the saw at the operator during ripping operation

Arbor

The shaft on which a cutting tool is mounted.

Bevel Cut

An angle cutting operation made through the face of the workpiece.

Compound Cut

A simultaneous bevel and miter crosscutting operation.

Crosscut

A cutting operation made across the width of the workpiece.

Dado

A non thru cut which produces a square sided notch or trough in the workpiece.

Featherboard

A device which can help guide workpieces during rip type operation.

Freehand

Performing a cut without the use of fence (guide), miter gauge, fixture, hold down or other proper device to prevent the workpiece from twisting during the cutting operation. Twisting of the workpiece can cause it to be thrown.

Gum

A sticky, sap based residue from wood products.

Heel

Misalignment of the sawblade such that the blade is not parallel to the miter gauge groove.

Kerf

The amount of material removed by the blade in a through cut or the slot produced by the blade in a non-through or partial cut

Kickback

An uncontrolled grabbing and throwing of the workpiece back toward the front of the saw

Leading End

The end of the workpiece which, during a rip type operation, is pushed into the cutting tool first.

Miter Cut

An angle cutting operation made across the width of the workpiece.

Molding

A non through cut which produces a special shape in the workpiece used for joining or decoration.

Ploughing

Grooving with the grain the length of the workpiece, using the fence. (A type of non-through cut)

Push Stick

A device used to feed the workpiece through the saw during narrow ripping type operations which helps keep the operator's hands well away from the blade

Push Block

A device used for ripping type operations too narrow to allow use of a push stick.

Rabbet

A notch in the edge of a workpiece. (A type of non-through cut)

Resin

A sticky, sap based substance that has hardened.

Revolutions Per Minute (RPM)

The number of turns completed by a spinning object in one minute.

Rip Cut

A cutting operation along the length of the workpiece.

Sawblade Path

The area of the workpiece or table top directly in line with either the travel of the blade or the part of the workpiece which will be, or has been, cut by the blade.

Set

The distance that the tip of the sawblade tooth is bent (or set) outward from the face of the blade.

Throw-Back

Throwing of pieces in a manner similar to a kickback.

Thru-Sawing

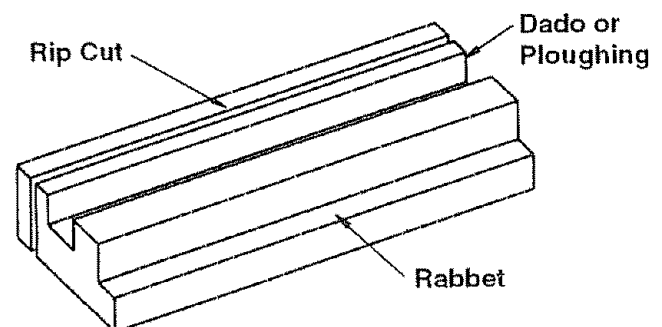
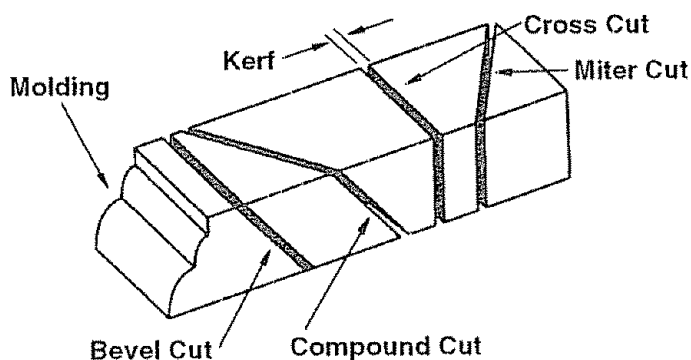
Any cutting operation where the blade extends completely through the thickness of the workpiece

Trailing End

The workpiece end last cut by the blade in a ripping operation.

Workpiece

The item on which the cutting operation is being performed. The surfaces of a workpiece are commonly referred to as faces, ends, and edges.



Motor Specifications and Electrical Requirements

Power Supply and Motor Specifications

WARNING: To avoid electrical hazards, fire hazards or damage to the tool, use proper circuit protection. Your tool is wired at the factory for operation using the voltage shown. Connect tool to a power line with the appropriate voltage and a 15-amp branch circuit. Use a 15-amp time delay type fuse or circuit breaker. To avoid shock or fire, if power cord is worn or cut, or damaged in any way, have it replaced immediately.

The A-C motor used in this tool is a relay start, non-reversible type, having the following specifications:

Rated H.P	1
Voltage	110-120
Amperes	11.5
Hertz (Cycles)	60
Phase	Single
RPM	3450
Rotation of Shaft	Counterclockwise

General Electrical Connections

DANGER: To avoid electrocution:

1. Use only identical replacement parts when servicing. Servicing should be performed by a qualified service technician.
2. Do not use in rain or where floor is wet.
This tool is intended for indoor residential use only.

WARNING: Do not permit fingers to touch the terminals of plug when installing or removing the plug to or from the outlet.

110-120 Volt, 60 Hz. Tool Information

NOTE: The plug supplied on your tool may not fit into the outlet you are planning to use. Your local electrical code may require slightly different power cord plug connections. If these differences exist refer to and make the proper adjustments per your local code before your tool is plugged in and turned on.

In the event of a malfunction or breakdown, grounding provides a path of least resistance for electric current to reduce the risk of electric shock. This tool is equipped with an electric cord having an equipment-grounding conductor and a grounding plug, as shown. The plug must be plugged into a matching outlet that is properly installed and grounded in accordance with all local codes and ordinances.

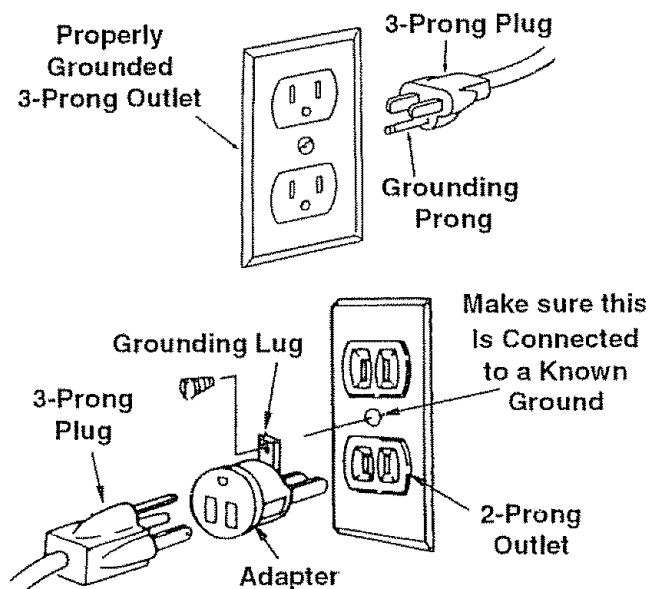
Do not modify the plug provided. If it will not fit the outlet, have the proper outlet installed by a qualified electrician.

A temporary adapter may be used to connect this plug to a 2-prong outlet as shown if a properly grounded three prong outlet is not available. This temporary adapter should be used only until a properly grounded three prong outlet can be installed by a qualified electrician. The green colored rigid ear, lug or the like, extending from the adapter must be connected to a permanent ground such as a properly grounded outlet box.

Improper connection of the equipment-grounding conductor can result in a risk of electric shock. The conductor with insulation having an outer surface that is green with or without yellow stripes is the equipment-grounding conductor. If repair or replacement of the electric cord or plug is necessary, do not connect the equipment-grounding conductor to a live terminal.

If the grounding instructions are not completely understood, or if you are in doubt as to whether the tool is properly grounded check with a qualified electrician or service personnel.

WARNING: If not properly grounded, this tool can cause an electrical shock, particularly when used in damp locations, in proximity to plumbing, or out of doors. If an electrical shock occurs there is the potential of a secondary hazard, such as your hands contacting the sawblade.



NOTE: The adapter illustrated is for use only if you already have a properly grounded 2-prong outlet.

Motor Specifications and Electrical Requirements (continued)

CAUTION: To avoid motor damage, this motor should be blown out or vacuumed frequently to prevent sawdust buildup which will interfere with normal motor ventilation.

1. Frequent "blowing" of fuses or tripping of circuit breakers may result if:
 - a. Motor is overloaded - Overloading can occur if you feed too rapidly or if saw is misaligned.
 - b. Motor circuit is fused differently from recommendations - Always follow instructions for the proper fuse/breaker. Do not use a fuse/breaker of greater capacity without consulting a qualified electrician.
 - c. Low voltage - Although the motor is designed for operation on the voltage and frequency specified on motor nameplate, normal loads will be handled safely on voltage not more than 10% above or below the nameplate voltage. Heavy loads, however, require that voltage at motor terminals equals the voltage specified on nameplate.
2. Most motor troubles may be traced to loose or incorrect connections, overloading, reduced input voltage (such as small size wire in the supply circuit) or to overly long supply circuit wire. Always check the connections, the load and the supply circuit whenever motor fails to perform satisfactorily. Check wire sizes and length with the Wire Size Chart below.

Wire Sizes

NOTE: Make sure the proper extension cord is used and is in good condition.

The use of any extension cord will cause some loss of power. To keep this to a minimum and to prevent overheating and motor burn-out, use the table shown to determine the minimum wire size (A.W.G.) extension cord.

Use only 3-wire extension cords which have 3-prong grounding type plugs and 3-prong receptacles which accept the tool's plug.

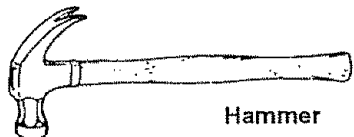
Extension Cord Length	Wire Sizes Required for (A.W.G.)
0-25 Ft.	16
26-50 Ft.	16

Table of Contents

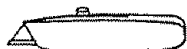
Section	Page	Section	Page
Warranty	2	Push Block	26
Safety Instructions For Table Saw	2	Auxiliary Fence	27
Safety Signal Words	2	Basic Saw Operations	28
Before Using The Saw	2	Using the Miter Gauge	28
When Installing Or Moving The Saw	2	Additional Safety Instructions for Crosscutting	28
Before Each Use	3	Crosscutting	28
To Avoid Injury From Jams, Slips Or Thrown Pieces (Kickbacks Or Throwbacks)	3	Repetitive Crosscutting	29
Plan Ahead To Protect Your Eyes, Hands, Face and Ears	4	Miter Crosscutting	30
Whenever Sawblade Is Spinning	4	Bevel Crosscutting	30
Additional Safety Instructions	5	Compound Crosscutting	30
Glossary of Terms for Woodworking	6	Using the Rip Fence	31
Motor Specifications and Electrical Requirements	7	Additional Safety Instructions for Rip Cuts	31
Power Supply and Motor Specifications	7	Ripping	31
General Electrical Connections	7	Bevel Ripping Narrow Work	33
110-120 Volt, 60 Hz. Tool Information	7	Using Featherboards for Thru-Sawing	33
Wire Sizes	8	Using Featherboards for Non Thru-Sawing	34
Table of Contents	9	Resawing	34
Unpacking and Checking Contents	10	Dadoing	35
Tools Needed	10	Rabbeting	35
Unpacking	10	Ploughing and Molding	36
List of Loose Parts	11	Molding Cutting	36
Loose Parts	11	Adjustments	36
Assembly	12	Miter Gauge	36
Installing Handwheels and Bevel Pointer	12	Rip Fence	37
Assembling Steel Legs	12	Self Aligning Spring Adjustment	37
Mounting Your Saw	13	Rip Fence Alignment Adjustment	38
Assembling Table Extensions	14	Adjusting Rip Scale Indicator	38
Installing Rip Fence Guide Bars and Switch Box	15	Heeling Adjustment or Parallelism of Sawblade to Miter Gauge Groove	39
Aligning Extensions	17	Blade Tilt, or Squareness of Blade to Table	40
Checking Table Insert	18	Blade Elevation	42
Installing Blade Guard	19	Tilt and Elevation Mechanism	42
Getting to Know Your Table Saw	21	Maintaining Your Table Saw	43
Safety Instructions for Basic Saw Operations	24	Maintenance	43
Before Each Use	24	Lubrication	44
To Avoid Injury From Jams, Slips Or Thrown Pieces (Kickbacks Or Throwbacks)	24	Sears Recommends the Following Accessories	45
Whenever Sawblade Is Spinning	25	Troubleshooting	45
Work Feed Devices	26	General	45
Push Stick	26	Motor	46
		Repair Parts	47

Unpacking and Checking Contents

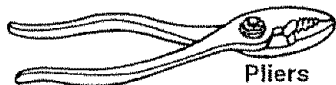
Tools Needed



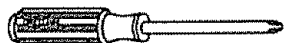
Hammer



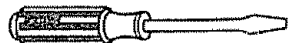
Utility Knife



Pliers



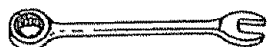
Phillips Screwdriver



Medium Screwdriver



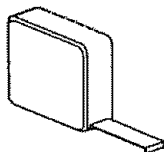
Small Screwdriver



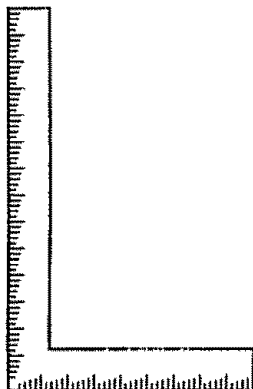
Combination Wrenches
3/8 In., 7/16 In., 1/2 In., 9/16 In.



Hex "L" Wrenches
3/16 In., 1/8 In.,



Tape Rule

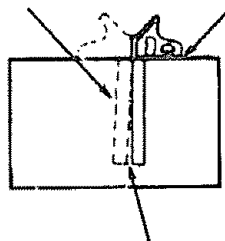


Framing Square

Combination Square must be true. Check its accuracy as shown below.

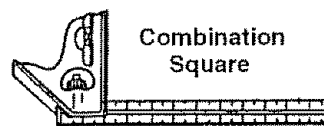
Draw light line on board along edge

Select the straight edge of 3/4" thick board. This edge must be perfectly straight.



NOTE: The square and straight edge are used to align the saw. They must be accurate if the saw is to be aligned properly.

Should be no gap or overlap here when square is flipped over in dotted position.



Combination Square

Unpacking

- 1 Separate saw and all parts from packing materials and check each one with the illustration and the "List of Loose Parts" to make certain all items are accounted for, before discarding any packing material

WARNING: If any parts are missing, do not attempt to assemble the table saw, plug in the power cord or turn the switch on until the missing parts are obtained and are installed correctly.

WARNING: The saw is heavy. To avoid back injury, get help to lift the saw. Hold the saw close to your body. Bend your knees so you can lift with your legs, not your back.

WARNING: For your own safety, never connect plug to power source outlet until all assembly steps are complete, and you have read and understand the safety and operating instructions.

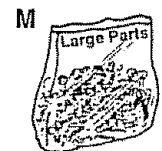
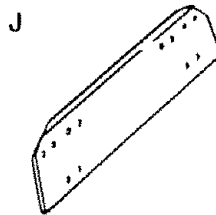
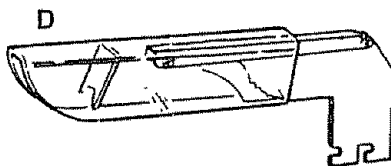
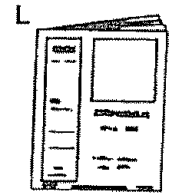
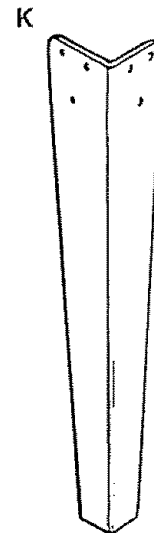
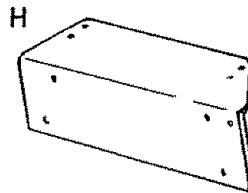
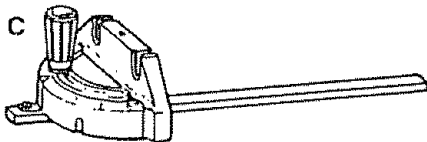
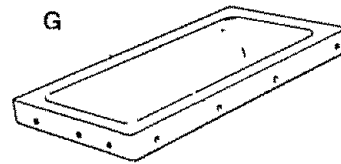
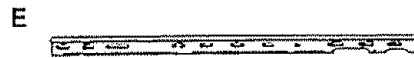
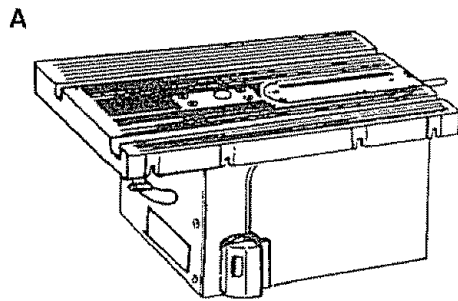
NOTE: Before beginning assembly:

- Check that all parts are included. If you are missing any part, do not assemble the saw. Contact your Sears Service Center to get the missing part.
- Sometimes small parts can get lost in packaging material. Do not throw away any packaging until saw is put together. Check packaging for missing parts before contacting Sears
- A complete parts list (Repair Parts) is at the end of the manual. Use this list to identify the part number of the missing part.

List of Loose Parts

Item	Part Name	Qty.	Item	Part Name	Qty.
A	Table Saw	1	G	Table Extension 12 x 27	2
B	Rip Fence	1	H	Side Stiffener	2
C	Miter Gauge	1	J	End Stiffener	2
D	Blade Guard and Spreader	1	K	Leg	4
E	Rip Fence Guide Bar, Rear	1	L	Owners Manual	1
F	Rip Fence Guide Bar with Rip Scale (Front)	1	M	Bag of Loose Parts Labeled "Large Parts"	1

Loose Parts



Open loose parts bag labeled "Large Parts". Check to see that the following items are included.

- Bag labeled "Guard"
- Bag labeled "Legs"
- Bag labeled "Table Extensions"
- Bag labeled "Guide Bars"
- Bag labeled "Miscellaneous"
- Bag labeled "Base"
- Blade Wrenches 2
- Corner Support Brackets 4
- Handwheels 2
- Wire Tie 1

Assembly

Installing Handwheels and Bevel Pointer

1. From the bag labeled "Miscellaneous" remove only the following hardware:

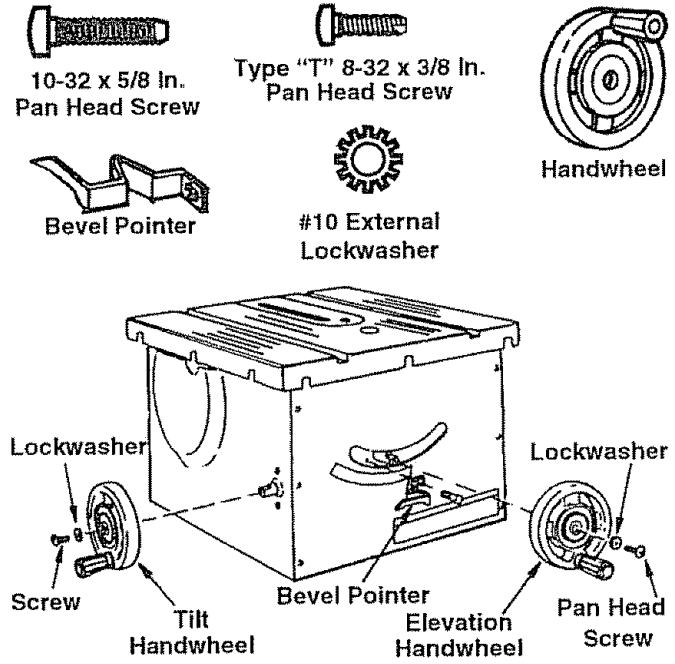
- *2 Pan Head Screws, 10 - 32 x 5/8" Long
- *2 Lockwashers, #10 External Type
- *1 Pan Head Screw Type "T" 8-32 x 3/8 Long
- 1 Bevel Pointer

From the bag labeled "Large Parts" remove only the following:

- 2 Handwheels

Items marked with asterisk (*) are shown actual size.

2. Fasten bevel pointer to cradle assembly with 8-32 x 3/8 screw, as shown. Adjustment of the pointer may be necessary later.
3. Line up **flat spots** on shaft and handwheel, push handwheel onto shaft. Install screw and lockwasher to lock handwheel on shaft. Repeat for the other handwheel.



Assembling Steel Legs

1. From the bag labeled "Legs" remove the following hardware:

- *16 Truss Head Screws, 1/4-20 x 1/2" long
- *16 Lockwashers, 1/4" External Type
- *16 Hex Nuts, 1/4-20
- *8 Hex Nuts, 3/8-16
- 4 Leveling Feet

From among the loose parts find the following:

- 4 Legs
- 2 End Stiffeners
- 2 Side Stiffeners

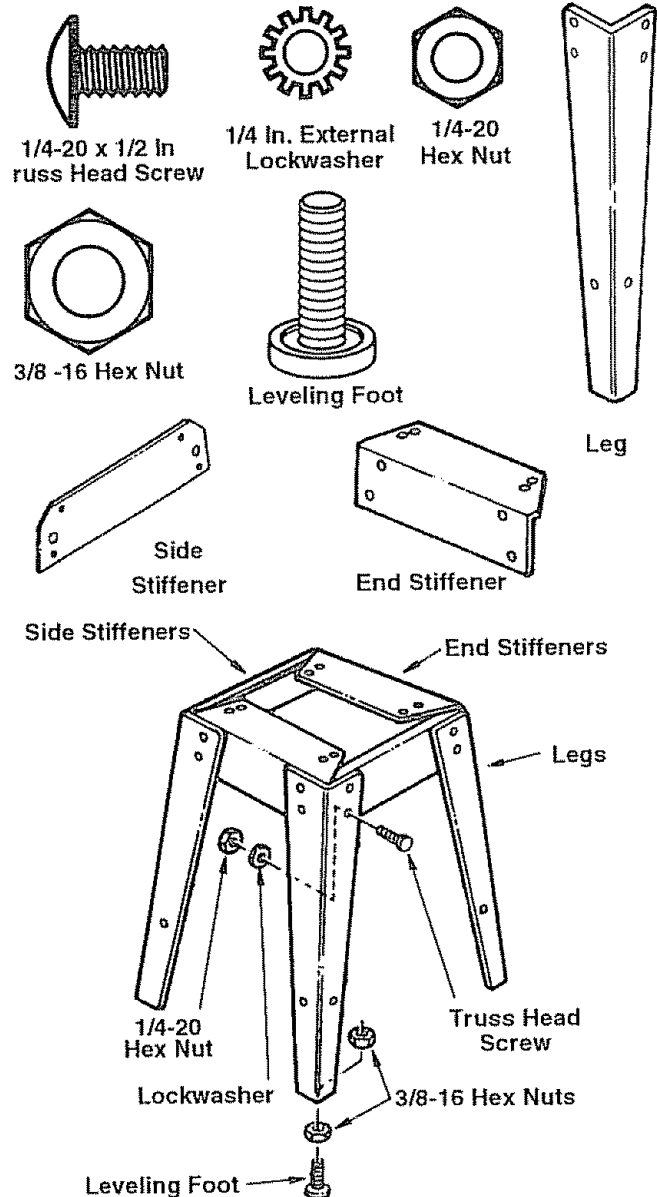
Items marked with asterisk (*) are shown actual size.

2. Assemble the legs as shown.

Insert the truss head screws through the holes in the legs, then through the holes in the side and end stiffeners.

Legs must be assembled on top of stiffeners.

3. Install the lockwashers. Screw on the nuts hand tight.
4. Install leveling feet through holes in bottom of legs as shown.
5. Adjust leveling feet as follows:
 - a. Move saw to desired location.
 - b. With 9/16" wrench loosen bottom nut.
 - c. Back off top nut by hand.
 - d. Raise or lower foot by adjusting bottom nut using 9/16" wrench.
 - e. Snug top nut against inside of leg by hand.
 - f. Tighten all four bottom nuts using 9/16" wrench.



Mounting Your Saw

1. From the bag labeled "Base" remove the following hardware:

- *4 Hex Head Screws, 5/16-18 x 1-1/8" Long
- *4 Hex Nuts, 5/16-18
- *4 Lockwashers, 5/16" External Type
- *8 Flat Washers, 11/32 x 11/16 x 1/16

Items marked with asterisk (*) are shown actual size.

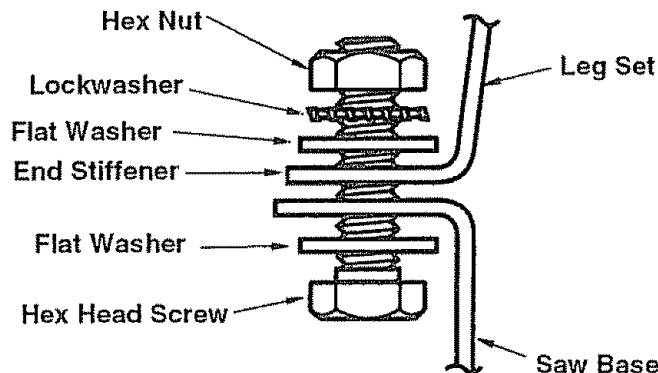
2. Place the saw upside down onto a smooth piece of cardboard or heavy paper, on the floor, so the saw is resting on the table top.

WARNING: The saw is heavy. To avoid back injury, get help to lift the saw. Hold the saw close to your body. Bend your knees so you can lift with your legs, not your back.

3. Place legs on saw so that holes in saw base and leg set line up and trim label is facing front. Legs will overhang base in rear.

4. Install screw, washers, lockwasher and nut as shown.

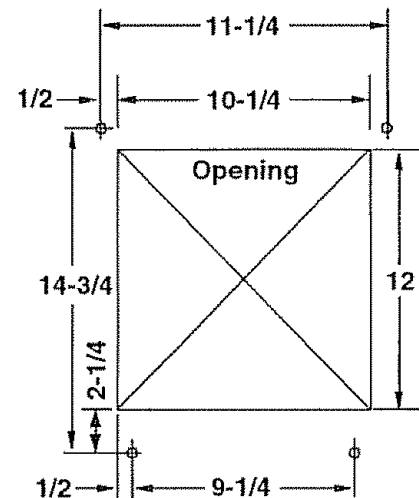
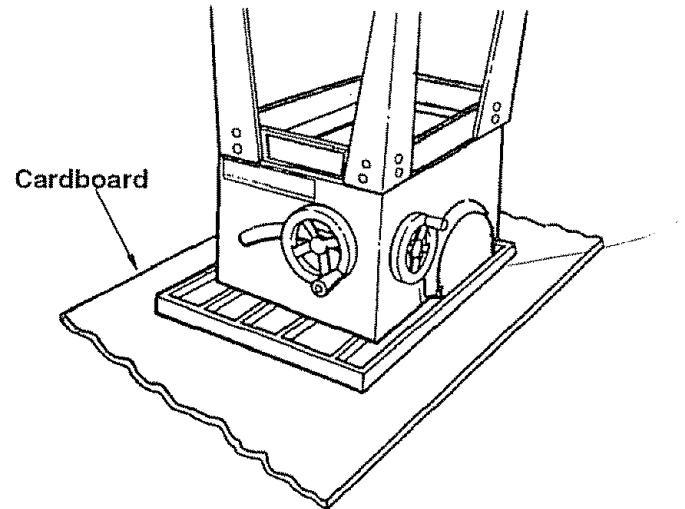
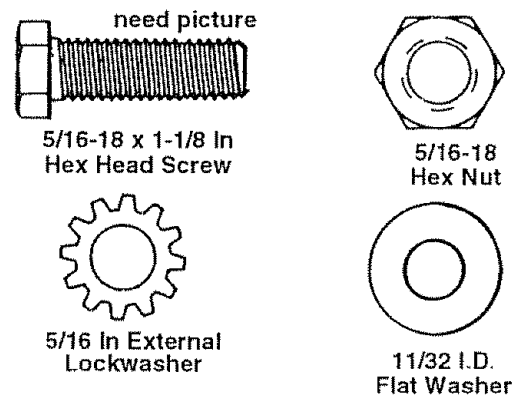
5. Tighten all leg assembly and mounting hardware at this time.



NOTE: For clarity, later manual illustrations may not show leg set attached.

Bench Mounting

If you do not use the legset and prefer to mount the saw on a bench, make sure that there is an opening in the top of the bench the same size as the opening in the bottom of the saw so that the sawdust can drop through. Recommended working height is 33 to 37 inches from the top of the saw table to the floor.



Front of Saw

NOTE: All dimensions in inches

Assembly (continued)

Assembling Table Extensions

1. From the bag labeled "Table Extensions" remove the following hardware: (Quantity indicated is for two extensions)

- *8 Hex Head Screws, 5/16-18 x 1-1/4" Long
- *8 Flat Washers, 21/64 x 5/8 x 1/16
- *8 Lockwashers, 5/16" External Type
- *8 Hex Nuts, 5/16-18
- *10 Truss Head Screw, 1/4-20 x 1
- *10 Hex Nut, 1/4-20
- *10 Lockwashers, 1/4 External Type
- *4 Flat Washers, 17/64 x 3/4 x 1/16
- 2 Brackets

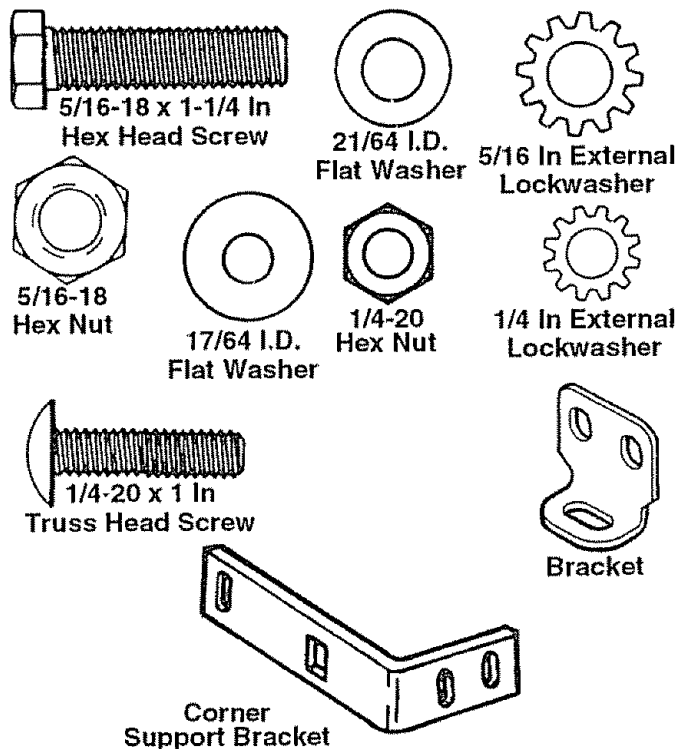
From the bag labeled "Large Parts" remove only the following:

- 4 Corner Support Brackets

From among the loose parts find the following:

- 2 Table Extensions

Items marked with asterisk (*) are shown actual size.

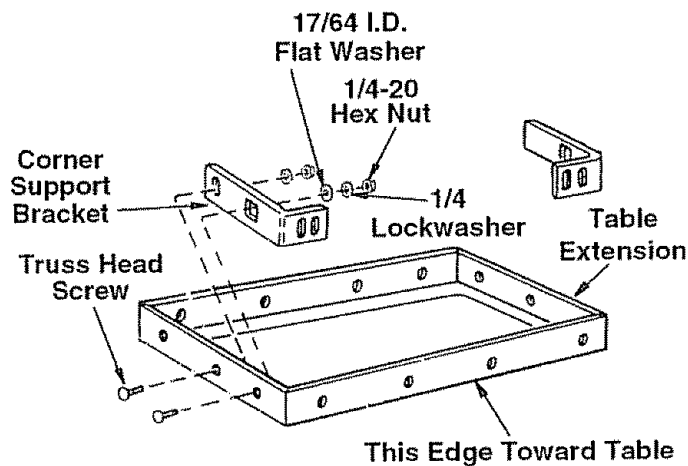


2. Assemble with saw upside down.

NOTE: To protect the finished surfaces of the saw and extensions, lay a piece of heavy paper or cardboard on the floor.

WARNING: Stock table extensions must be installed. They help support the fence guide bars. An unsupported guide bar can twist. Twisted guide bars can misalign fence. A misaligned fence can cause binding or kickback. You could be hit or cut.

3. Install corner support brackets, 1/4-20 x 1 inch truss head screws, 17/64 inch flat washers, 1/4 inch external lockwashers and 1/4-20 hex nuts as shown. Hand tighten only

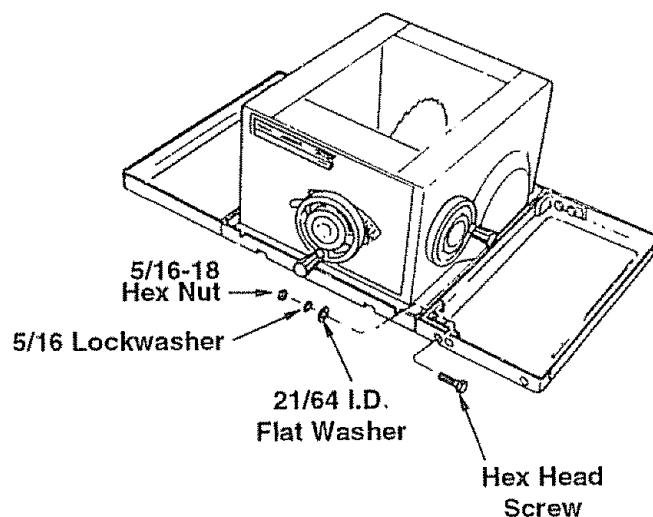


4. Insert four (4) 5/16-18 x 1-1/4 inch long hex head screws through the holes on inside edge of one extension.

5. Install 21/64 I.D. flat washer, 5/16 external lockwasher, and 5/16-18 hex nut on the end of each screw. Just start nut on end of screw.

6. Slide the extension with hardware into four slots in side of table. Line up front edge of extension with front edge of table and tighten all screws and nuts.

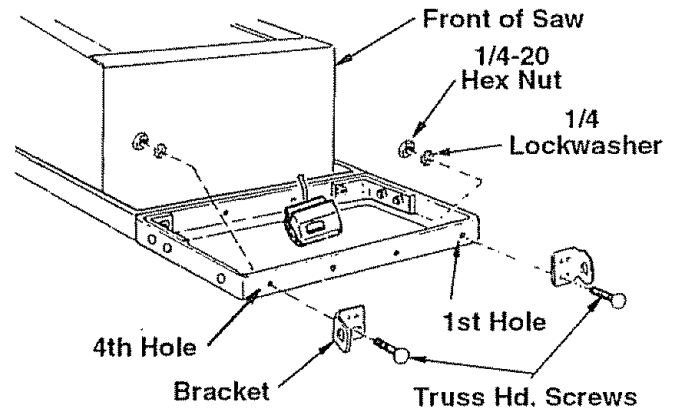
7. Repeat for other extension.



8. Insert a 1/4-20 x 1 truss head screw through bottom hole in the bracket, and through the first hole in the right hand extension. Install a lockwasher and nut on the screw. Hand tighten the nut.

NOTE: When saw is upside down, right hand extension is on the left side when facing front of saw.

9. Insert a 1/4-20 x 1 truss head screw through bottom hole in the other bracket and the fourth hole of the extension. Install a lockwasher and nut on the screw. Hand tighten the nut.



Installing Rip Fence Guide Bars and Switch Box

1. From the bag labeled "Guide Bars" remove the following hardware:

- *3 Hex Head Screws, 5/16-18 x 1-1/2
- *3 Hex Head Screws, 5/16-18 x 1
- *6 Hex Jam Nuts, 5/16-18
- *4 Flat Washers, 21/64 x 5/8 x 1/16
- *3 Spacers, 3/4 dia. x 1/2 long
- *6 Lockwashers, 5/16 External Type

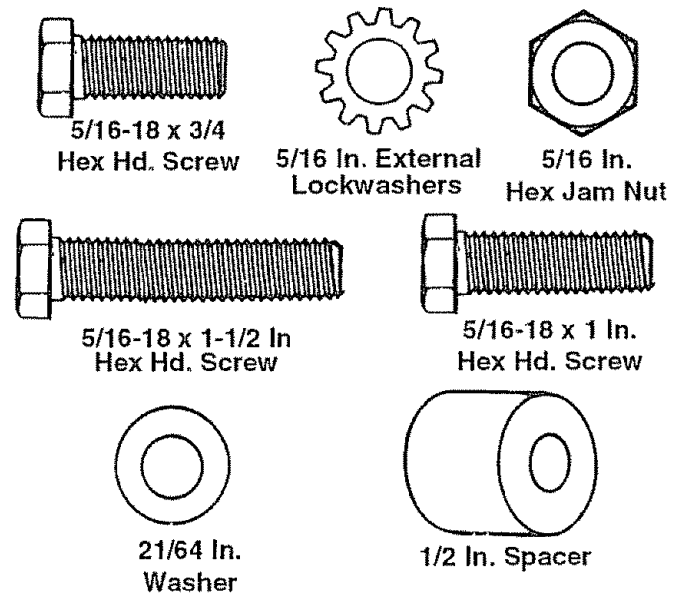
From the bag labeled "Miscellaneous" remove only the following hardware:

- *2 Hex Head Screws, 5/16-18 x 3/4
- *2 Hex Jam Nuts, 5/16-18
- *4 Lockwashers, 5/16 External Type

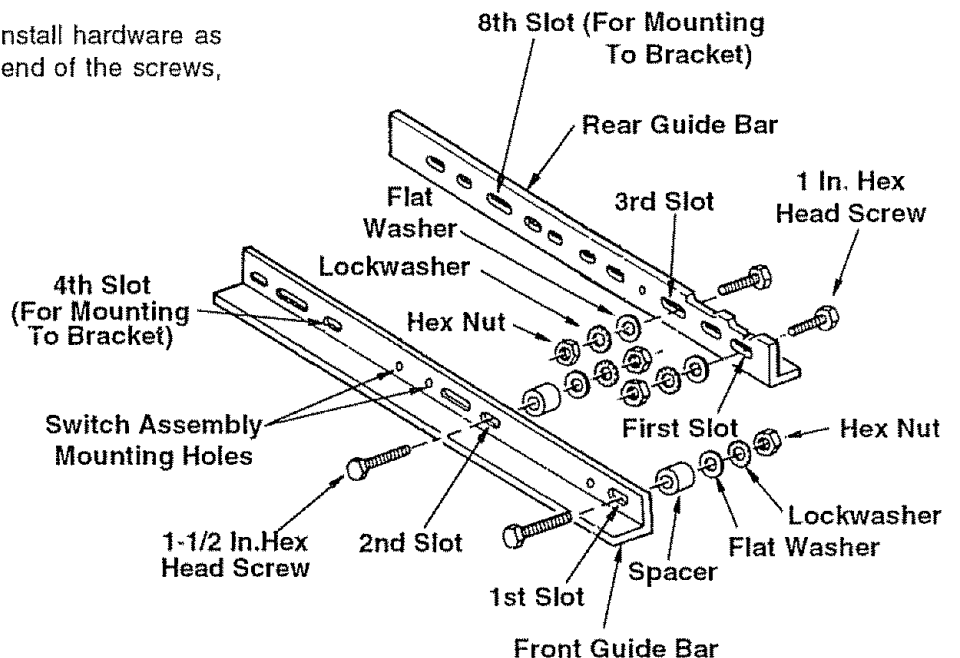
From among the loose parts find the following:

- 1 Front Guide Bar
- 1 Rear Guide Bar

Items marked with asterisk (*) are shown actual size

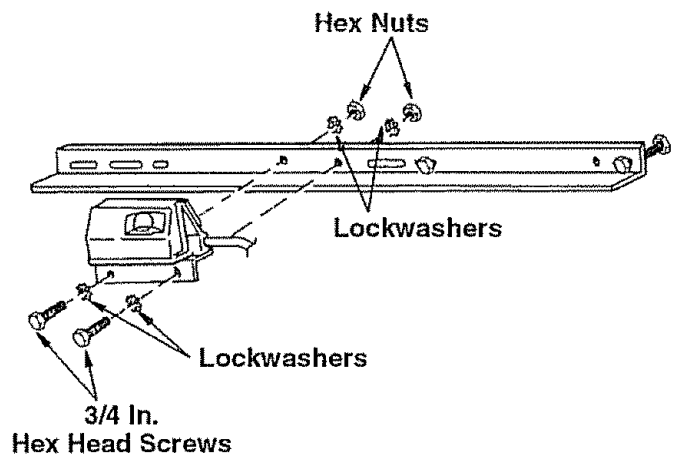


2. Position guide bars on floor and install hardware as shown. Just start the nuts on the end of the screws, do not screw nuts on all the way.

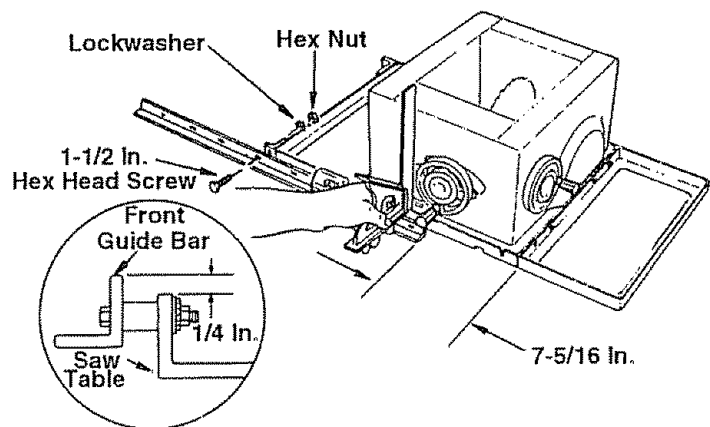


Assembly (continued)

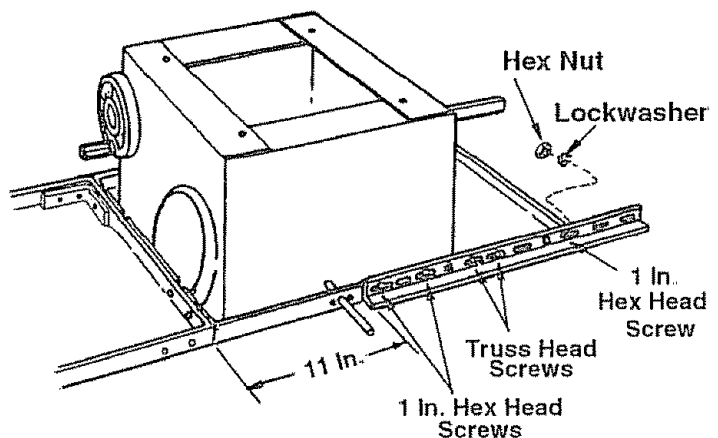
3. Mount switch to front guide bar with two 5/16-18 x 3/4 hex head screws, four lockwashers and two nuts. Securely tighten both nuts



4. Place front guide bar against saw table and drop it in place engaging the screws in the slots. Make sure the spacers are between the front guide bar and the table.
5. End of front guide bar must be 7-5/16 inch from side of saw table. This is important so that rip fence indicator can be aligned.
6. With the blade of your combination square set to 1/4 inch, gauge and adjust front guide bar so the edge of the bar is 1/4 inch above the edge of the table. Securely tighten nuts.
7. Install 5/16-18 x 1-1/2 hex head screw through the fourth slot in front guide bar (that lines up with bracket), through the 1/4 inch spacer and the bracket. Install a 5/16 inch external lockwasher and 5/16-18 hex jam nut.



8. Remove the two truss head screws from rear of right table extension.
9. Attach the rear guide bar in a similar manner to the front guide bar. Make sure that the end of the bar is 11 inches from the side of the saw table. Spacers are not required.
10. Reinstall two truss head screws, lockwashers and hex nuts removed in step 8. Check that all hardware is tight.
11. Insert 5/16-18 x 1 hex head screw through the eighth slot in rear guide bar and bracket. Install 5/16 external lockwasher and 5/16 hex jam nut. Tighten securely.



Aligning Extensions

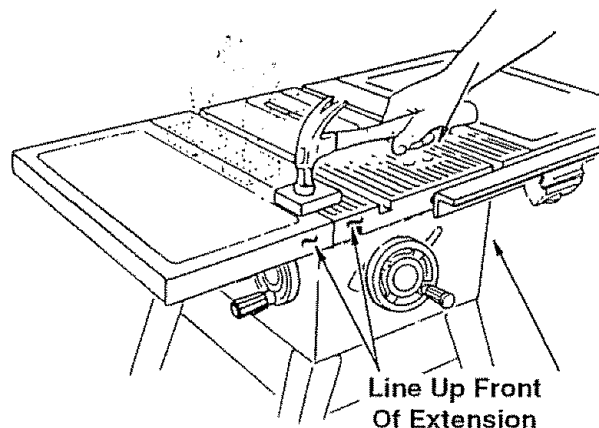
1. Stand saw upright on legs. Roll saw over onto front then up onto feet.

WARNING: The saw is heavy. To avoid back injury, get help to lift the saw. Hold the saw close to your body. Bend your knees so you can lift with your legs, not your back.

2. Line up the front edge of extension with the front edge of the table. Pull up on front and rear of sheet metal side extension so it is higher than table. Using a block of wood and hammer as shown, tap the extension down until it is even with table top. Recheck alignment of front edge of table and extension. Tighten front and rear extension mounting nuts only.

WARNING: Table extensions must be installed. Front edge of table and extensions must be lined up. An uneven front edge can twist the fence guide bar. Twisted guide bars can misalign fence. A misaligned fence can cause binding or kickback. You could be hit or cut.

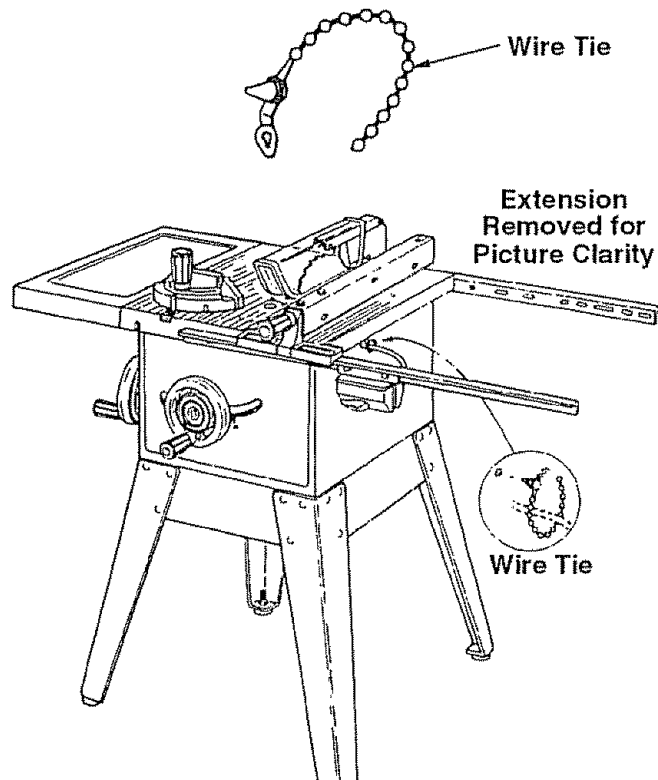
3. Using the block of wood, check to see if center of extension is flush with table top. If adjustment is needed, push the table top into alignment and tighten center two mounting nuts.
4. Repeat steps 2 and 3 to align the other extension



1. From the bag labeled "Large Parts" remove the following hardware:

1 Wire Tie

2. Use a hammer to lightly tap the pointed tab on the wire tie into the hole provided on side of cabinet. Route motor cord from inside cabinet through the wire tie. Secure cord in wire tie. Keep any extra cord on outside of cabinet. Do not push extra cord inside cabinet.

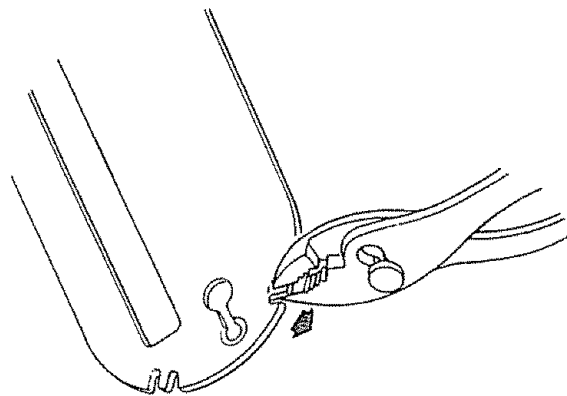
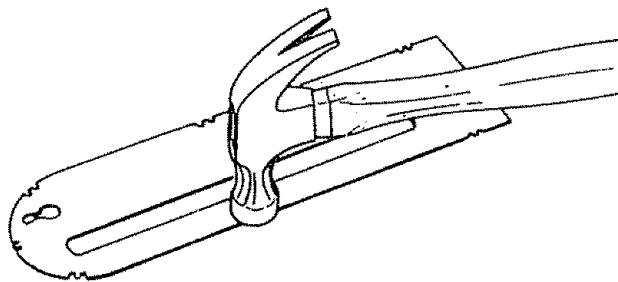
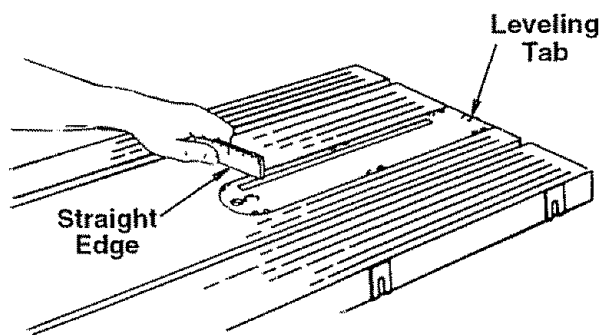


Assembly (continued)

Checking Table Insert

The table insert must be flush with the surface of the saw table to keep the workpiece from hanging up or binding with the sawblade as the workpiece is cut by the sawblade.

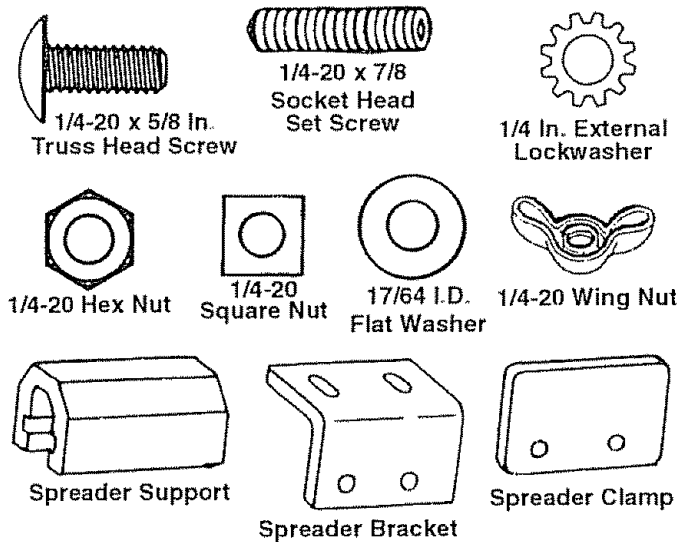
1. Lower sawblade beneath the table insert and check to be sure the screw fastening the insert in place is snug.
2. Use a straight edge to check near each of the eight leveling tab positions to determine if the insert is flush with the surface of the saw table at all eight leveling tab positions.
3. If insert is not flush with table surface, loosen insert fastening screw and pull insert forward to lift from saw table.
4. Bend with pliers or tap with a hammer, as required, to make the insert flush with the table top.



Installing Blade Guard

1. From the bag labeled "Guard" remove the following hardware:

- *2 Truss Head Screws, 1/4-20 x 5/8" Long
- *2 Socket Head Set Screws, 1/4-20 x 7/8" Long
- *4 Flat washers, 17/64 x 9/16 x 3/64
- *2 Hex Nuts 1/4-20
- *4 Lockwashers, 1/4 External Type
- *2 Wing Nuts, 1/4-20
- *2 Square Nuts, 1/4-20
- 1 Spreader Support
- 1 Spreader Bracket
- 1 Spreader Clamp

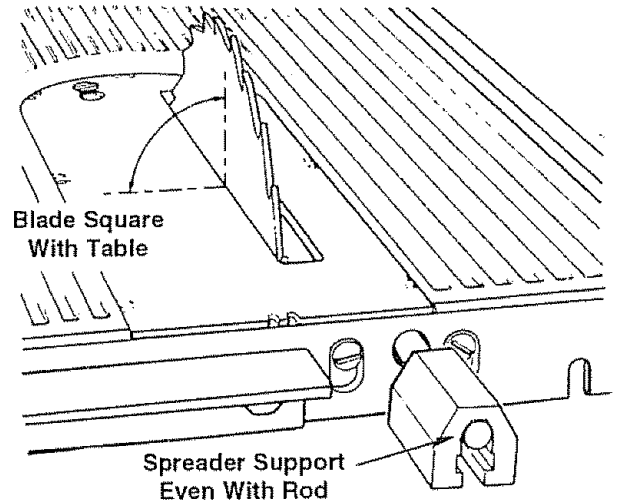


From among the loose parts find the following:

- 1 Blade Guard

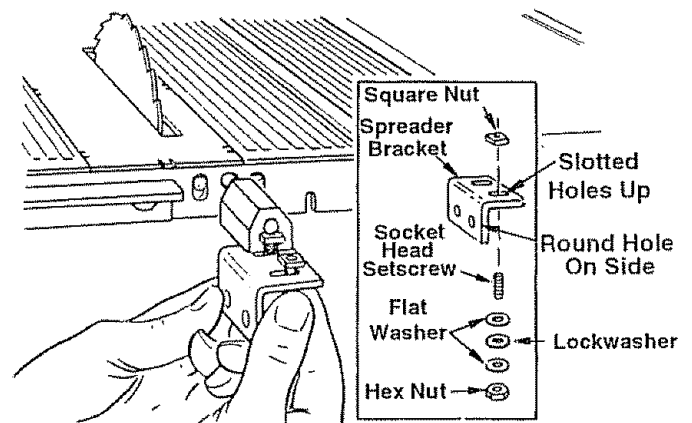
Items marked with asterisk (*) are shown actual size

- 2. Make sure the blade is all the way up and square with table.
- 3. Position spreader support on rod until it is even with the end of the rod.



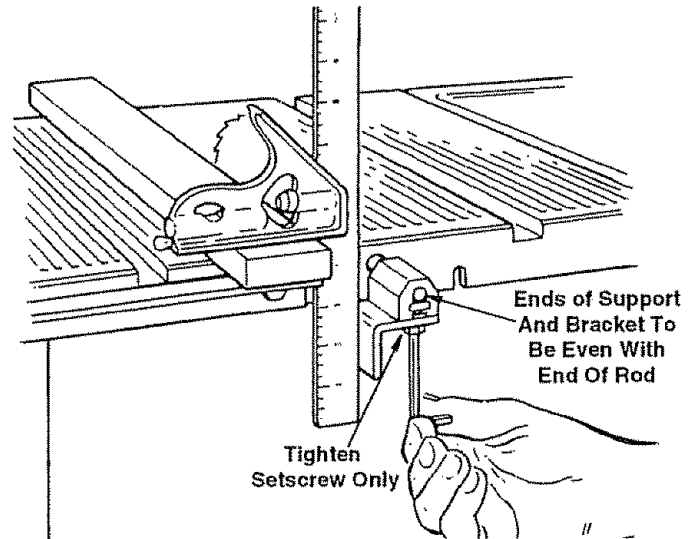
- 4 Assemble the 7/8 inch long set screws, nuts, lockwashers and washers to the spreader support bracket and slip the nuts into the slot in the spreader support.
- 5. Finger tighten only the hex nuts

NOTE: Be sure to put the socket head set screw through the slot shaped holes in the spreader bracket (see illustration). This allows the guard and spreader to be lined up with the blade. Be sure the socket end of the set screw is at the hex nut end of the assembly.



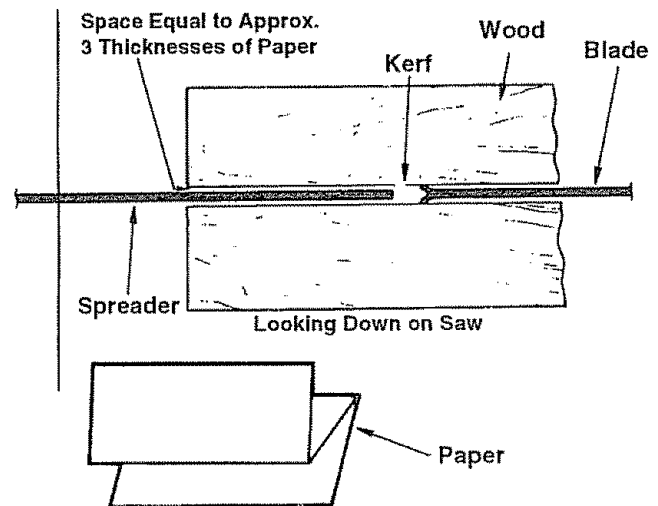
Assembly (continued)

6. Lay a piece of flat straight wood and a square on saw table and rotate the spreader support until the bracket is aligned with square.
7. Make sure end of support, bracket and rod are even. Using a 1/8 inch hex "L" wrench, tighten the set screws only. Check that the spreader support cannot be rotated on the spreader rod.



Important: To work properly, the spreader must always be parallel to the sawblade and adjusted so the cut work-piece will pass on either side of the spreader without binding or skewing to the side.

NOTE: The spreader is thinner than the width of the kerf by approximately six thicknesses of paper.



8. Make two folds in a small piece (6 x 6 inch) of ordinary newspaper making three thicknesses.

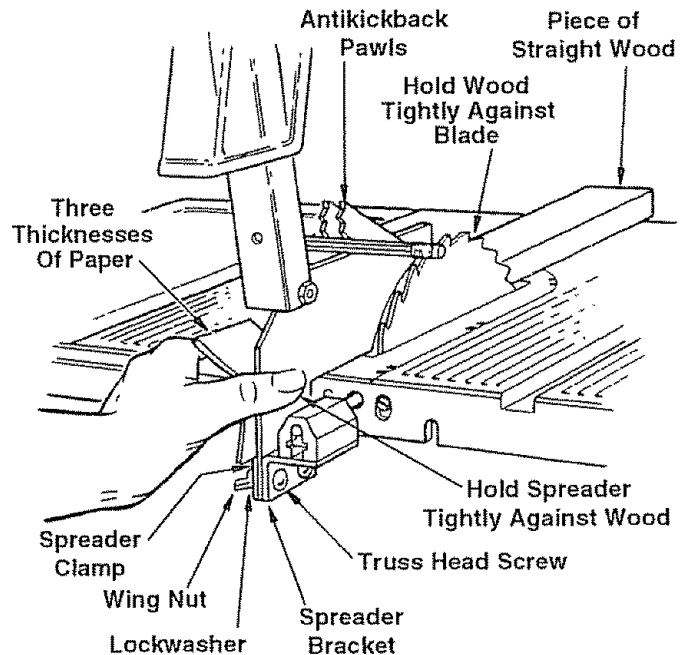
The folded paper will be used as "spacing gauge".

9. Raise blade to maximum height and make sure blade is square to the saw table.
10. Install the spreader clamp using 1/4-20 x 5/8 truss head screws, lockwashers, and wing nuts. Place spreader between spreader clamp and bracket. Move spreader forward until all three are in line. Tighten wing screws.
11. Lift up both anti-kickback pawls. Insert set screw wrench or a pencil into notches to hold the pawls out of the way.
12. Lay a piece of straight flat wood against the sawblade. Insert folded paper between spreader and strip of wood.
13. Make sure the hex nuts underneath are loose.
14. Hold the spreader tightly against the wood and make sure the wood is against the sawblade. Tighten the hex nuts.

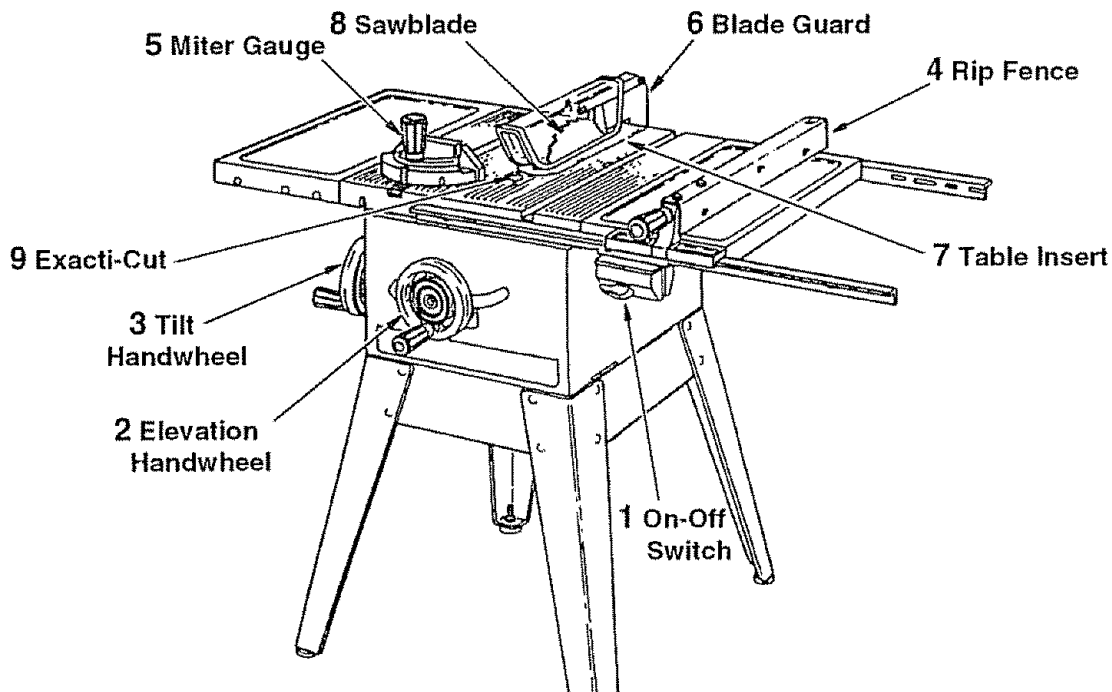
This will align the spreader in the middle of the cut (kerf) made by sawblade.

NOTE: To remove the guard for non-through cuts, loosen the wing nuts and slide the guard back and upward off the spreader bracket. Do not disturb the setting of the spreader bracket.

When replacing the guard, slide the spreader down and forward between the spreader clamp and spreader bracket until it rests as shown. Make sure wing nuts are tightened securely. This lets you remove and replace the guard without disturbing the spreader alignment.



Getting to Know Your Table Saw



1. On-Off Switch.

CAUTION: Before turning switch "ON", make sure the blade guard is correctly installed and operating properly.

The On-Off Switch has a locking feature. This feature is intended to help prevent unauthorized and possible hazardous use by children and others

A. Remove key from bag labeled "Miscellaneous" and insert into switch.

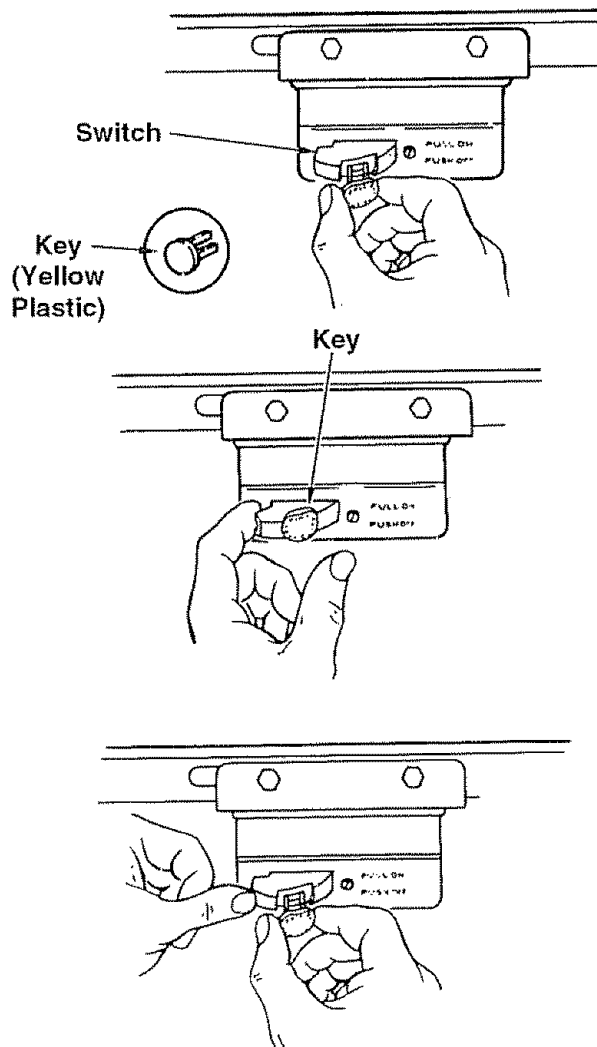
B. To turn saw ON, stand to either side of the blade, never in line with it, insert finger under switch lever and pull end of lever out.

After turning switch ON, always allow the blade to come up to full speed before cutting. Do not cycle the motor switch on and off rapidly, as this may cause the sawblade to loosen. In the event this should ever occur, allow the sawblade to come to a complete stop and retighten the arbor nut normally, not excessively. Never leave the saw while the power is "ON".

C. To turn saw OFF, PUSH lever in. Never leave the saw until the cutting tool has come to a complete stop.

D. To lock switch in OFF position, hold switch IN with one hand, REMOVE key with other hand.

WARNING: For your own safety, lower blade or other cutting tool below table surface. (If blade is tilted, return it to vertical, 90°, position.) Always lock the switch "OFF". When saw is not in use, remove key and keep it in a safe place. Also, in the event of a power failure (all of your lights go out) turn switch off, lock it and remove the key. This will prevent the saw from starting up again when the power comes back on.



Getting to Know Your Table Saw (continued)

2. **Elevation Handwheel**...elevates or lowers the blade. Turn clockwise to elevate, counterclockwise to lower.

3. **Tilt Handwheel**...tilts the blade for bevel cutting. Turn clockwise to tilt toward left, counterclockwise to tilt toward right.

When the blade is tilted to the left as far as it will go, it should be at 45° to the table and the bevel pointer should point to 45°.

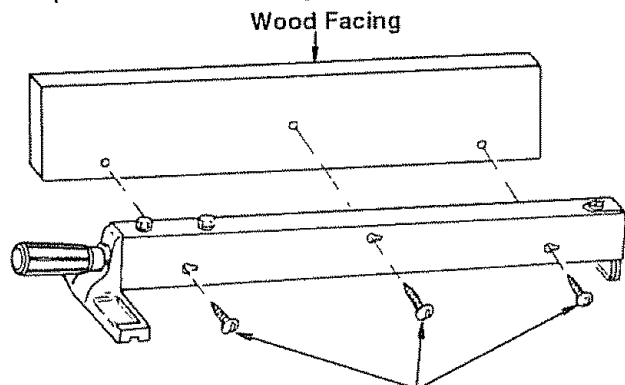
NOTE: There are limit stops inside the saw which prevent the blade from tilting beyond 45° to the left and 90° to the right. (See "Adjustments" section "Blade Tilt, or Squareness of Blade to Table").

4. **Rip Fence**...is locked in place by tightening the lock knob. To move the fence, loosen the knob and grasp the fence with one hand at the front.

Holes are provided in the rip fence for attaching a wood facing when using the dado head, or molding head.

Select a piece of smooth straight wood approximately 3/4 inch thick, at least as long as the rip fence, and at least 7-1/2 inches wide (high) to permit clamping of featherboards.

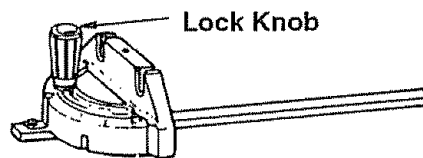
Attach it to the fence with the three round head #10 wood screws 2 inches long. To remove the facing, loosen the screws, slide the facing forward and pull the screws through the round holes.



Round Head
#10 Wood Screws

If you are making a rip type cut in material thinner than 3/16 inch while the fence is positioned over the depressed area of table extension, the facing should be attached to the fence so that the bottom edge touches the top surface of the extension. In this case, the facing must be shorter than the fence. This will prevent thin material from sliding under the rip fence

5. **Miter Gauge**...head is locked in position for cross-cutting or mitering by tightening the lock knob. Always lock it securely when in use.



6. **Blade Guard**...must always be in place and working properly for all thru-sawing cuts. That is, all cuts where the blade cuts completely through the workpiece.

To remove the guard for special operations, loosen the wing nuts and slide the guard back and upward off the spreader bracket. Do not disturb the setting of the spreader bracket.

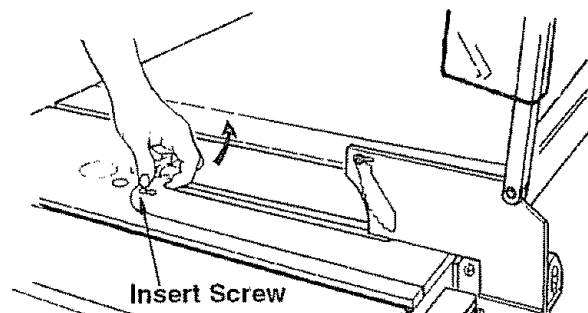
When replacing the guard, slide the spreader down and forward between the spreader clamp and spreader bracket until the bottom and rear edges of all three are even. Make sure both wing nuts are hand tightened securely.

7. **Table Insert**...is removable for removing or installing blade or other cutting tools.

WARNING: To avoid injury from accidental start, turn switch "OFF" and remove plug from power source before removing insert.

- Lower the blade below the table surface.
- Raise blade guard.
- Loosen insert screw.
- Lift insert from front end, and pull toward front of saw.

WARNING: Never operate saw without the proper insert in place. Use the sawblade insert when sawing. Use the combination dado molding insert when using a dado or molding head.



Insert Screw

8. Removing and Installing Sawblade

WARNING: To avoid injury from accidental start, turn switch "OFF" and remove plug from power source outlet before removing or installing sawblade.

- A. Remove insert.
- B. Remove wrenches from bag labeled "Large Parts".
- C. Place open end arbor wrench on flat surfaces of saw arbor and closed end arbor wrench on nut. Position wrenches as shown, holding your hands well above blade.
- D. With arbor wrench against table, pull wrench on arbor nut forward to loosen nut.
- E. To tighten nut, hold arbor wrench against rear of table, push arbor nut wrench toward rear.

NOTE: When installing the blade, make sure the teeth are pointing toward the front of the saw and that the blade and collars are clean, and free from any burrs.

The hollow side of the collars must be against the blade.

Always tighten the arbor nut securely.

- F. To replace insert. Place insert into opening in table and push toward rear of saw to engage spring clip and until keyslot in insert will drop over screw. Tighten screw. Do not tighten screw to the point where it will deflect the insert.

WARNING: To avoid injury from a thrown workpiece, blade parts, or blade contact, never operate saw without the proper insert in place. Use the sawblade insert when sawing. Use the proper size dado/molding insert for dado blades and molding heads.

9. Exact-I-Cut

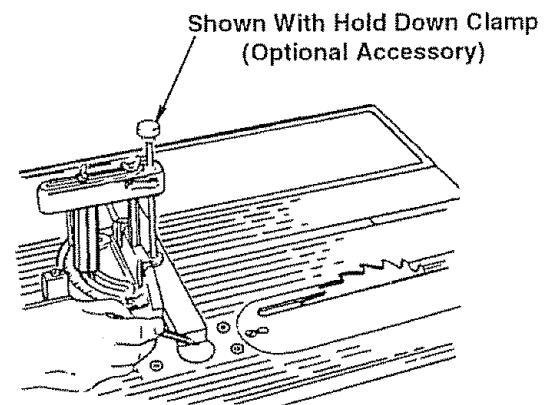
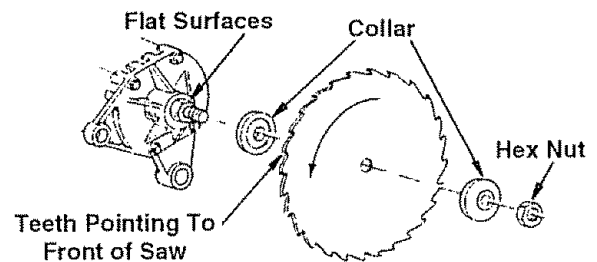
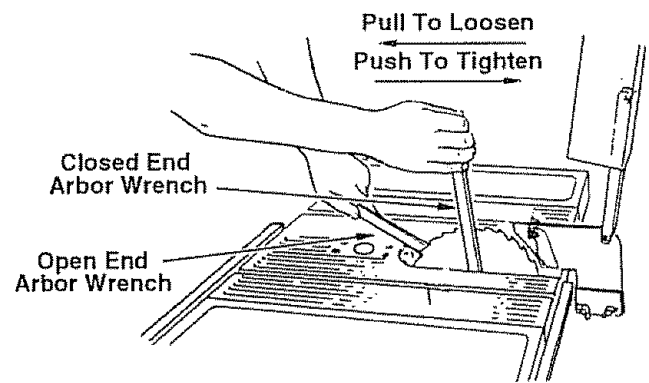
The "yellow" plastic disk embedded in the table in front of the sawblade, is provided for marking the location of the "sawcut" (kerf) on the workpiece.

Check disk location: If it is above table surface, place a piece of hardwood on top of it and tap it down with a hammer.

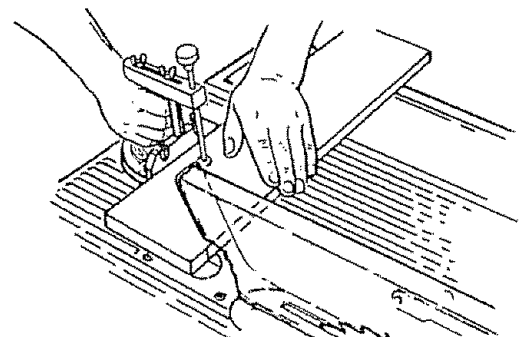
Marking the Exact-I-Cut:

- A. With blade 90° (square to table) and miter gauge in left groove, cross cut a piece of wood holding the wood firmly against miter gauge.
- B. Pull miter gauge back until freshly cut edge of wood is over disk. Using a sharp pencil, mark a line on disk at freshly cut edge of wood.
- C. With miter gauge in right hand groove, follow same procedure and mark another line on disk.
- D. These lines indicate the "path" of the cut (kerf) made by the sawblade.
- E. When cutting the workpiece, line up mark on workpiece with line on disk.

Use the hold-down clamp (optional accessory) on the miter gauge for greater accuracy.



Blade Guard Not Shown In
For Picture Clarity



Safety Instructions for Basic Saw Operations

Before Each Use

Inspect your saw.

- To avoid injury from accidental starting, turn the switch off, unplug the saw, and remove the switch key before raising or removing the guard, changing the cutting tool, changing the setup, or adjusting anything.
- Check for alignment of moving parts, binding of moving parts, breakage of parts, saw stability, and any other conditions that may affect the way the saw works.
- If any part is missing, bent or broken in any way, or any electrical part does not work properly, turn the saw off and unplug the saw.
- Replace damaged or missing parts before using the saw again.
- Use the sawblade guard, spreader and anti-kickback pawls for any thru-sawing (whenever the blade comes through the top of the workpiece). Make sure the anti-kickback pawls work properly. Make sure the spreader is in line with sawblade.
- Remove adjusting keys and wrenches. Form a habit of checking for and removing keys and wrenches from table top before turning saw on.
- Make sure all clamps and locks are tight and no parts have excessive play.

To Avoid Injury From Jams, Slips Or Thrown Pieces (Kickbacks Or Throwbacks)

Inspect Your Blade.

- Choose the right blade or cutting accessory for the material and the type of cutting you plan to do.
- Use The Right Tool. Don't force tool or attachment to do a job it was not designed for
- Never use grinding wheels, abrasive cutoff wheels, friction wheels (metal cutting blades) wire wheels or buffing wheels. They can fly apart explosively.
- Cut only wood, wood like or plastic materials. Do not cut metal.
- Choose and inspect your cutting tool carefully:
 - To avoid cutting tool failure and thrown shrapnel (broken pieces of blade), use only 10" or smaller blades or other cutting tools marked for speeds of 5000 rpm or higher.
 - Always use unbroken, balanced blades designed to fit this saw's 5/8 inch arbor.
 - When thru-sawing (making cuts where the blade comes through the workpiece top), always use a 10 inch diameter blade. This keeps the spreader in closest to the blade.
 - Do not over tighten arbor nut. Use arbor wrenches to "snug" it securely.
 - Use only sharp blades with properly set teeth. Consult a professional blade sharpener when in doubt.
 - Keep blades clean of gum and resin
 - Never use the saw without the proper blade insert.

Inspect your work area.

- Keep work area clean.
- Cluttered areas and benches invite accidents. Floor must not be slippery from wax or sawdust
- To avoid burns or other fire damage, never use the saw near flammable liquids, vapors or gases
- To avoid injury, don't do layout, assembly, or setup work on the table while blade is spinning. It could cut or throw anything hitting the blade.

Plan your work

- Plan ahead to protect your eyes, hands, face, ears.

- Use the right tool. Don't force tool or attachment to do a job it was not designed for.

Dress for safety

- Do not wear loose clothing, gloves, neckties or jewelry (rings, wrist watches). They can get caught and draw you into moving parts.
- Wear nonslip footwear.
- Tie back long hair.
- Roll long sleeves above the elbow.
- Noise levels vary widely. To avoid possible hearing damage, wear ear plugs or muffs when using table saw for hours at a time.
- Any power saw can throw foreign objects into the eyes. This can result in permanent eye damage. Wear safety goggles (not glasses) that comply with ANSI Z87.1 (shown on package). Everyday eyeglasses have only impact resistant lenses. They are not safety glasses. Safety goggles are available at Sears retail stores. Glasses or goggles not in compliance with ANSI Z87.1 could seriously hurt you when they break.



- For dusty operations, wear a dust mask along with safety goggles.

Inspect your workpiece.

- Make sure there are no nails or foreign objects in the part of the workpiece to be cut
- When cutting irregularly shaped workpieces, plan your work so it will not slip and pinch the blade:
- A piece of molding for example, must lie flat or be held by a fixture of jig that will not let it twist, rock or slip while being cut. Use jigs or fixtures where needed to prevent workpiece shifting.
- Use a different, better suited type of tool for work that can't be made stable.

Plan your cut.

- To avoid kickbacks and throwbacks which occur when a part or all of the workpiece binds on the blade and is thrown violently back toward the front of the saw:
 - Never cut **Freehand**. Always use either a rip fence, miter gauge or fixture to position and guide the work, so it won't twist or bind on the blade and kickback.
 - Make sure there's no debris between the workpiece and its supports.
- Use extra caution with large, very small or awkward workpieces.
- Use extra supports (tables, saw horses, blocks, etc.) for any workpieces large enough to tip when not held down to the table top. Never use another person as a substitute for a table extension, or as additional support for a workpiece that is longer or wider than the basic saw table, or to help feed, support or pull the workpiece.
- Never confine the piece being cut off, that is, the piece not against the fence, miter gauge or fixture. Never hold it, clamp it, touch it, or use length stops against it. It must be free to move. If confined, it could get wedged against the blade and cause a kickback or throwback.
- Never cut more than one workpiece at a time.
- Never turn your table saw "ON" before clearing everything except the workpiece and related support devices off the table.

Plan the way you will push the workpiece through.

- **Never pull the workpiece through.** Start and finish the cut from the front of the table saw.
- **Never put your fingers or hands in the path** of the sawblade or other cutting tool.
- **Never reach in back** of the cutting tool with either hand to hold down or support the workpiece, to remove wood scraps, or for any other reason.
- Avoid hand positions where a sudden slip could cause fingers or a hand to move into a sawblade or other cutting tool.
- Don't overreach. Always keep good footing and balance
- Push the workpiece against the rotation of the blade, never feed material into the cutting tool from the rear of the saw.
- Always push the workpiece all the way past the sawblade.
- As much as possible, keep your face and body to one side of the sawblade, out of line with a possible kickback or throwback.
- Set the cutting tool as low as possible for the cut you're planning.

Avoid Accidental Starting.

- Make sure switch is "OFF" before plugging saw into a power outlet.

Whenever Sawblade Is Spinning

WARNING: Don't allow familiarity (gained from frequent use of your table saw) cause a careless mistake. Always remember that a careless fraction of a second is enough to cause a severe injury.

- Before actually cutting with the saw, watch it while it runs for a short while. If it makes an unfamiliar noise or vibrates a lot, stop immediately. Turn the saw off. Unplug the saw. Do not restart until finding and correcting the problem.
- Make sure the top of the arbor or cutting tool turns toward the front of the saw.

Keep Children Away.

- Keep all visitors a safe distance from the table saw.
- Make sure bystanders are clear of the table saw and workpiece.

Don't Force Tool.

- Let the blade reach full speed before cutting.
- It will do the job better and safer at its designed rate.
- Feed the workpiece into the saw only fast enough to let the blade cut without bogging down or binding.

Before freeing jammed material.

- Turn switch "OFF".
- Wait for all moving parts to stop.
- Unplug the saw.
- Check blade, spreader and fence for proper alignment before starting again.

To avoid throwback of cut off pieces.

- Use the guard assembly

To remove loose pieces beneath or trapped inside the guard.

- Turn saw "OFF"
- Remove switch key
- Wait for blade to stop before lifting the guard

Before Leaving The Saw.

- Turn the saw off
- Wait for blade to stop spinning.
- Unplug the saw.
- Make workshop child-proof. Lock the shop. Disconnect master switches. Remove the yellow switch key. Store it away from children and others not qualified to use the tool.

Work Feed Devices

Before cutting any wood on your saw, study all of the "Basic Saw Operations".

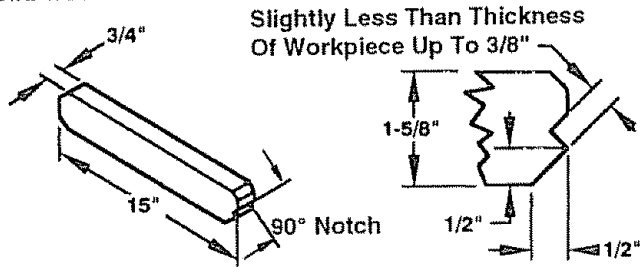
As you learn new table saw woodworking techniques, you'll see that many types of cuts need different support and feeding devices, known as jigs or fixtures. They can help you make cuts more accurately. By helping to steady the workpiece and keep you away from the blade, they can help you safely use your saw for certain cuts.

Many people custom build their own jigs and fixtures. Jigs and fixtures are often designed for a particular cut.

You can use your table saw to easily make many jigs and fixtures. To get you started, we've included instructions for some simple ones. After you have made a few practice cuts, make up these jigs before starting any projects. The use of these devices is explained in "Basic Saw Operations" section.

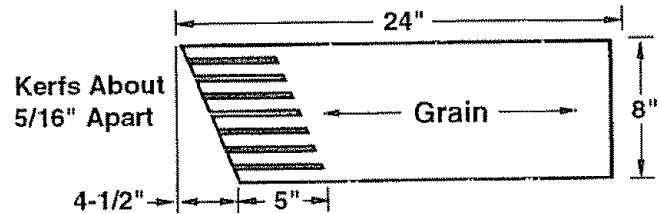
Push Stick

Make the push stick using a piece of 1 x 2 x 3/4 thick solid wood.



NOTE: All dimensions in inches

Make the featherboard from a 8 x 24 x 3/4 thick solid wood.



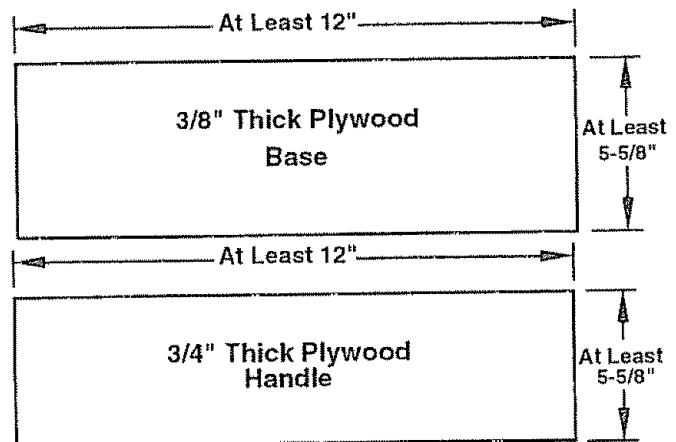
Push Block

There are any number of ways to properly cut your workpieces to make a push block. The following steps describe one way you can make a push block.

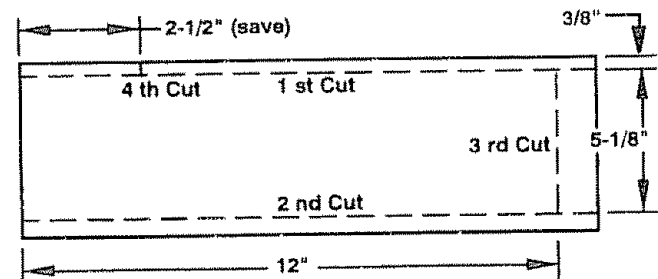
Making the base:

- Start with a piece of 3/8 inch plywood at least 5-5/8 inches wide or wider and 12 inches long or longer.
- Make two ripcuts. Perform the first ripcut along the side of the 3/8" wide strip. Next, ripcut the 3/8" plywood to a width of 5-1/8".
- Crosscut the 3/8" plywood to 12" long.
- Crosscut a 2-1/2" piece off the 3/8" wide by 3/8" thick strip and save this short piece for later.
- The next cuts will create the 3/8" by 9-1/2" notch in the base. Mark the long edge of the board 2-1/2" from one end. Make a crosscut into the edge on the mark, stopping about 3/4" into the board. Set the saw and rip the width to 4-3/4" along the same edge as the stopped crosscut. Stop the ripcut where the two cuts intersect. Turn off the saw and remove the base piece. The base should now measure as shown.

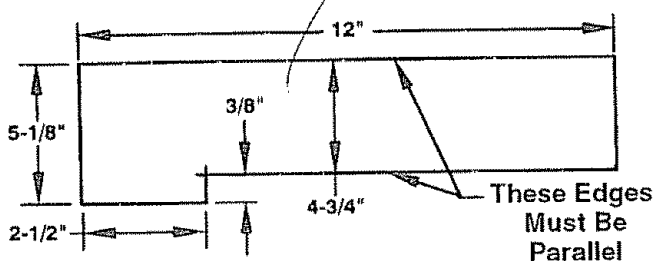
Material for Push Block



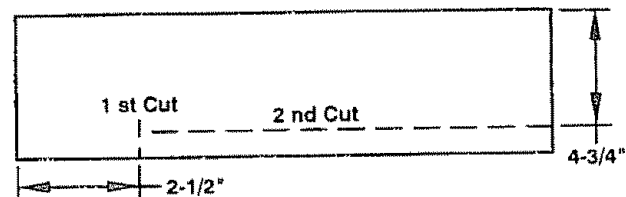
Cutting Out the Base



Finished Base



Creating the Notch



Making the handle:

- Miter crosscut a piece of 3/4 inch thick plywood to shape and size shown:

NOTE: The mitered corners can be any size that looks like the drawing (about 1-1/2" by 1-1/2").

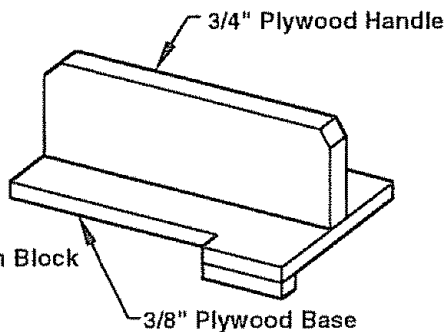
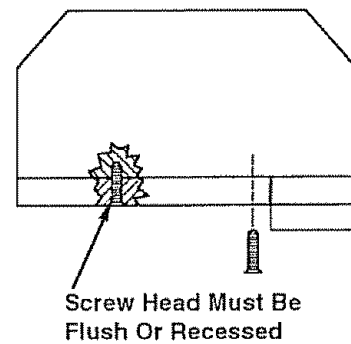
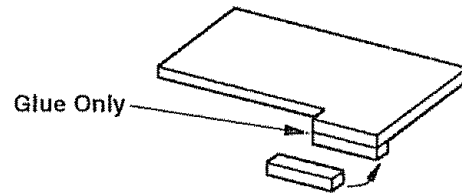
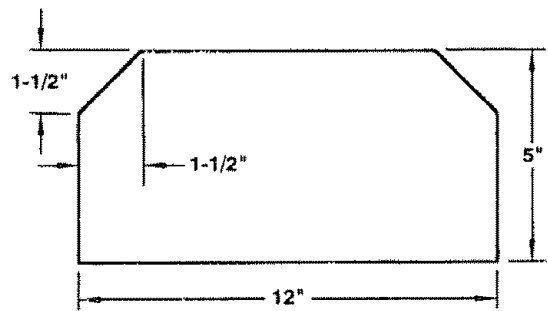
Putting it Together

- Using good quality woodworking glue, glue the 3/8" x 3/8" x 2-1/2" piece strip saved earlier to the base as shown.

IMPORTANT: Do not use nails or screws. This is to prevent dulling of the sawblade in the event you cut into the push block.

- Position the handle at the center of the plywood base as shown. Fasten them together with glue and wood screws

IMPORTANT: Make sure the screw heads do not stick out from the bottom of the base, they must be flush or recessed. The bottom must be flat and smooth enough to slide along the auxiliary fence you are now ready to make.



Finished Push Block

3/8" Plywood Base

Auxiliary Fence

Making the base:

- Start with a piece of 3/8 inch plywood at least 5-1/2 inches wide or wider and 30 inches long or longer.
- Cut the piece to shape and size shown:

Making the side:

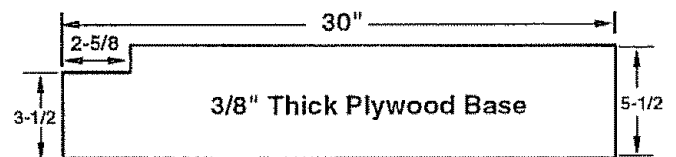
- Start with a piece of 3/4 inch plywood at least 2-3/8 inches wide or wider and 27 inches long or longer.
- Cut the piece to shape and size shown:

Putting it together:

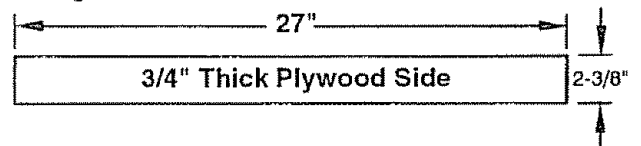
- Put the pieces together, as shown:

IMPORTANT: Make sure the screw heads do not stick out from the bottom of the base, they must be flush or recessed. The bottom must be flat and smooth enough to rest on the saw table without rocking.

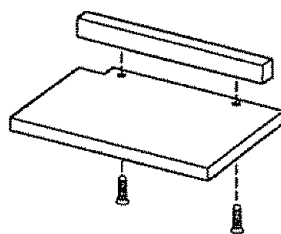
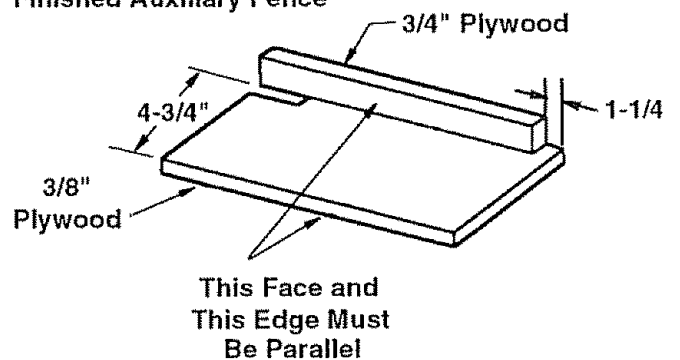
Cutting Out the Base



Cutting Out the Side



Finished Auxiliary Fence



Basic Saw Operations

Using the Miter Gauge

The miter gauge is used when crosscutting, miter cutting, bevel cutting, compound miter cutting, dadoing and when rabbeting across the end of a narrow workpiece.

WARNING: For your own safety, always observe the following safety precautions in addition to the safety instructions of pages 2, 3, 4, 5, 24 & 25.

Additional Safety Instructions for Crosscutting

Before Starting:

- Never use the rip fence when crosscutting except as specifically instructed.

- An auxiliary wood facing attached to the miter gauge can help prevent workpiece twisting and throwbacks. Attach it to the slots provided. Make the facing long enough and big enough to support your work. Make sure, however, it will not interfere with the sawblade guard.
- Use jigs or fixtures to help hold any piece too small to extend across the full length of the miter gauge face during the cut. This lets you properly hold the miter gauge and workpiece and helps keep your hands away from the blade.

While cutting:

- To avoid blade contact, always hold the miter gauge as shown in this section.

Crosscutting

Definition: A cutting or shaping operation made across the width of a workpiece.

The graduations on the miter gauge provide ample accuracy for average woodworking. In some cases where extreme accuracy is required, make a trial cut and then recheck it with a precision square, or protractor.

NOTE: The space between the miter gauge bar and the groove in the table is held to a minimum during manufacturing.

For maximum accuracy when using the miter gauge, always favor one side of the groove in the table. In other words, don't move the miter gauge from side to side while cutting but keep one side of the bar riding against one side of the groove.

NOTE: Gluing a piece of sandpaper to the face of the miter gauge head can help prevent the workpiece from "creeping" while it is being cut.

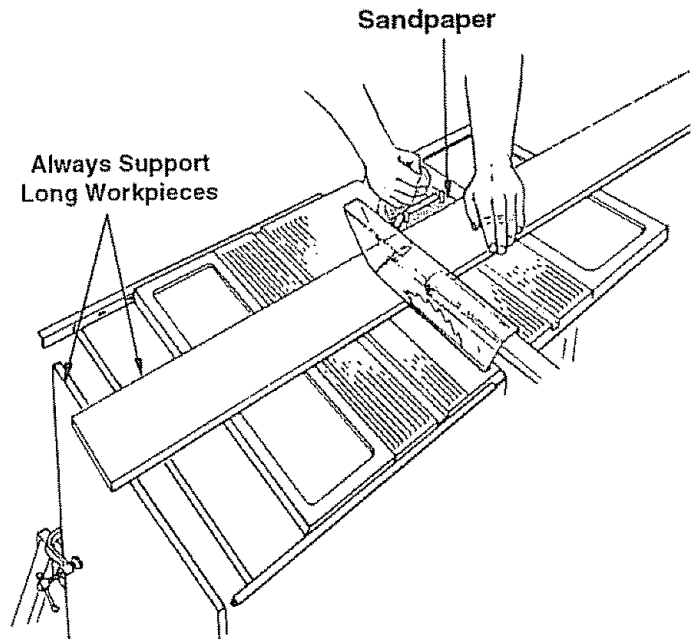
The miter gauge head is locked in position by twisting the lock knob clockwise. Always tighten it securely when in use.

WARNING: To avoid blade contact or kickback, hold miter gauge properly.

The miter gauge may be used in either of the grooves in the table

When using the miter gauge in the left hand groove, hold the workpiece firmly against miter gauge head with your left hand, and grip the lock knob with your right hand.

When using the miter gauge in the right hand groove, hold the workpiece with your right hand and the lock knob with your left hand.

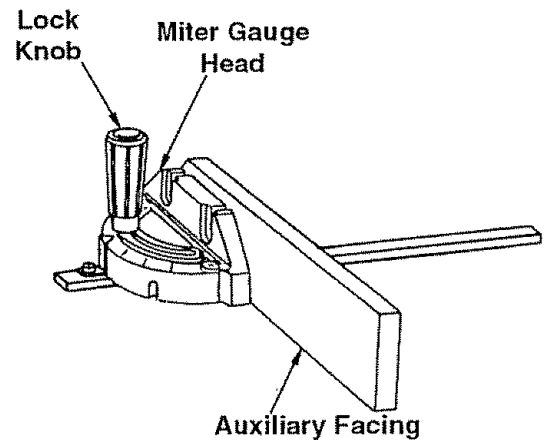


Crosscutting (continued)

Slots are provided in the miter gauge for attaching an auxiliary facing to make it easier to cut very long or short pieces. Select a suitable piece of smooth wood, drill two holes through it and attach with screws. Make sure the facing does not interfere with the proper operation of the sawblade guard.

When cutting long workpieces, you can make a simple support by clamping a piece of plywood to a sawhorse. (As seen on previous page.)

Use the hold-down clamp (optional accessory) on the miter gauge for greater accuracy.



Repetitive Crosscutting

Definition: Cutting a quantity of pieces the same length without having to mark each piece.

- A. Use the stop rods (optional accessory shown) only for cutting duplicate pieces 6 inches long and longer.
- B. Follow all safety precautions and operational instructions for cross cutting.

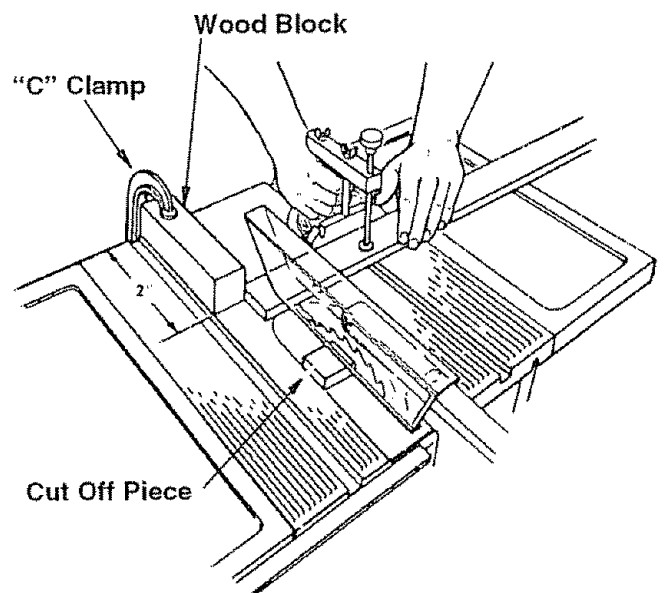
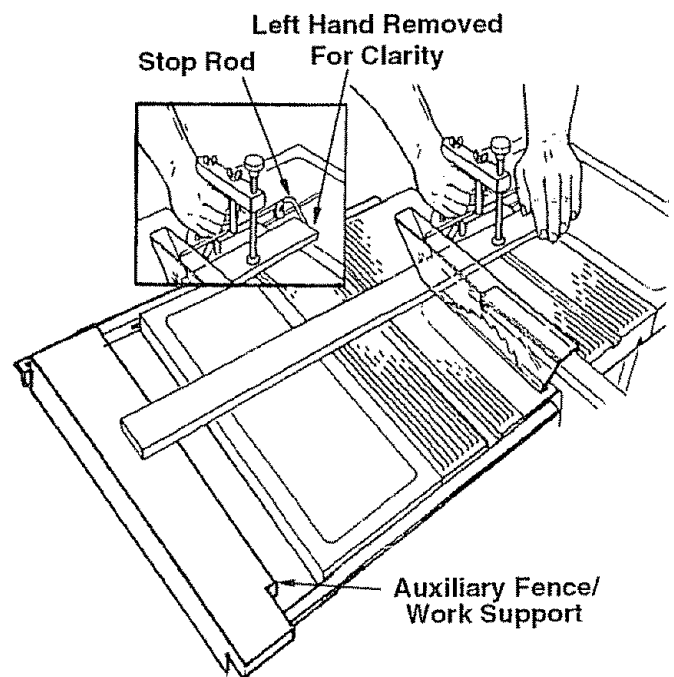
When making repetitive cuts from a long workpiece, make sure it is adequately supported.

WARNING: Never use the rip fence as a direct length stop because the cutoff piece could bind between the fence and the blade causing a kick-back.

- C. When making repetitive cuts shorter than 6 inches, clamp a block of wood 3" long to the table at desired length to act as a length stop. Do not clamp directly to the bottom edge of the table because the "swivel" of the clamp will not grip properly. Place a small block of wood between the bottom edge of the table and the "C" clamp.

WARNING: To avoid kickback from twisting the workpiece, when clamping the block make sure that the end of the block is well in front of the sawblade. Be sure it is clamped securely.

- D. Slide the workpiece along the miter gauge until it touches the block...hold the workpiece securely against the miter gauge or clamp it with the hold-down clamp (optional accessory shown).
- E. Make the cut, turn the saw off, remove the piece after the blade has stopped and before cutting the next piece.

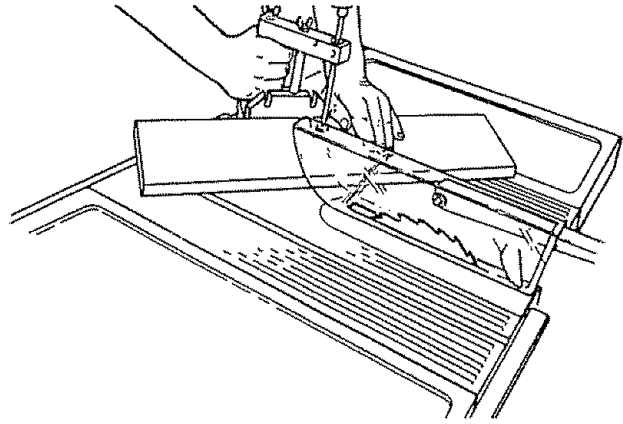


Basic Saw Operations (continued)

Miter Crosscutting

Definition: Cutting wood at an angle other than 90° with the edge of the wood. Follow the same procedure as you would for crosscutting

- A. Adjust the miter gauge to the desired angle, and lock it.
- B. The miter gauge may be used in either of the grooves in the table. Make sure it is locked.
- C. When using the miter gauge in the left hand groove, hold the workpiece firmly against the miter gauge head with your left hand, and grip the lock knob with your right hand.
- D. When using the miter gauge in the right hand groove, hold the workpiece with your right hand and the lock knob with your left hand.



Bevel Crosscutting

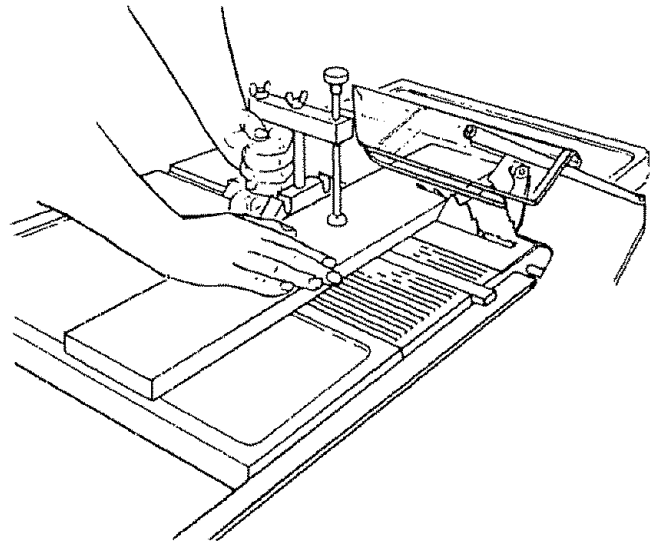
Bevel crosscutting is the same as crosscutting except that the wood is cut at an angle other than 90° with the bottom flat side of the wood.

- Adjust the blade to the desired angle.
- Always use the miter gauge in the groove to the right of the blade. It cannot be used in the groove to the left because the blade guard will interfere. Hold the workpiece with your right hand and the lock knob with your left hand.
- Use the auxiliary fence/work support for additional support of the workpiece.

Compound Crosscutting

Compound cutting is a combination of miter cutting and bevel crosscutting. The cut is made at an angle other than 90° to both the edge and the bottom flat side of the wood.

- Adjust the miter gauge and the blade to the desired angle. Make sure miter gauge is locked.



Using the Rip Fence

Ripping, bevel ripping, resawing and rabbeting are performed using the rip fence together with the auxiliary fence/work support, push stick or push block.

WARNING: For your own safety, read and always observe all safety precautions listed in manual and on saw.

Additional Safety Instructions for Rip Cuts

- Never use the miter gauge when ripping
- Use a push stick whenever the fence is 2 or more inches from the blade.
- When thru-sawing, use an auxiliary fence and push block whenever the fence must be between 1/2 and 2 inches from the blade
- Never thru-saw rip cuts narrower than 1/2 inch.
- Never rip anything shorter than 10" long.
- When using a push stick or push block, the trailing end of the workpiece must be square. A push stick or block against an uneven end could slip off or push the workpiece away from the fence.

- A featherboard can help guide the workpiece. (See "Basic Saw Operation-Using Featherboards for Thru-Sawing" section.)
- Always use featherboards for any non thru-sawing rip type cuts. (See "Basic Saw Operations-Using Featherboards for Non Thru-sawing" section)

Before Starting:

- To avoid kickbacks and slips into the blade, make sure the rip fence is parallel to the sawblade.
- Before thru-sawing, check the anti-kickback pawls. The pawls must stop a kickback once it has started. Replace or sharpen anti-kickback pawls when points become dull.
- Plastic and composition (like hardboard) materials may be cut on your saw. However, since these are usually quite hard and slippery, the anti-kickback pawls may not stop a kickback. Therefore, be especially careful in your setup and cutting procedures.

While Thru-sawing:

- To avoid kickbacks and slips into the blade, always push forward on the section of the workpiece between the sawblade and the rip fence. Never push forward on the piece being cut off.

Ripping

Definition: Cutting operation along the length of the workpiece.

Position the fence to the desired width of rip and lock in place.

Before starting to rip, be sure:

1. Rip fence is parallel to sawblade
2. Spreader is properly aligned with sawblade
3. Anti-kickback pawls are functioning properly.

When ripping long boards or large panels, always use a work support. A simple support can be made by clamping a piece of plywood to a sawhorse

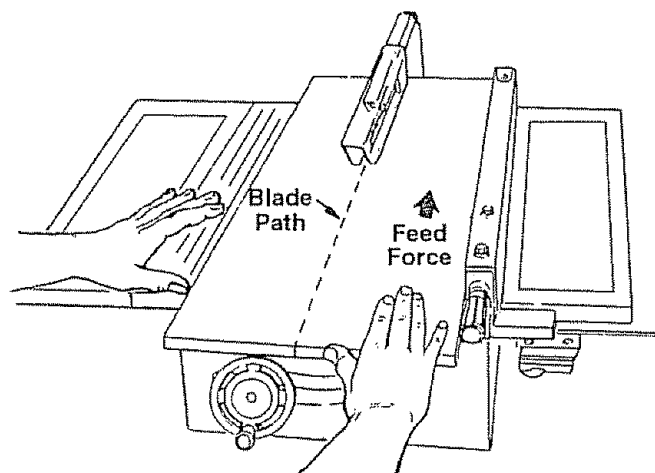
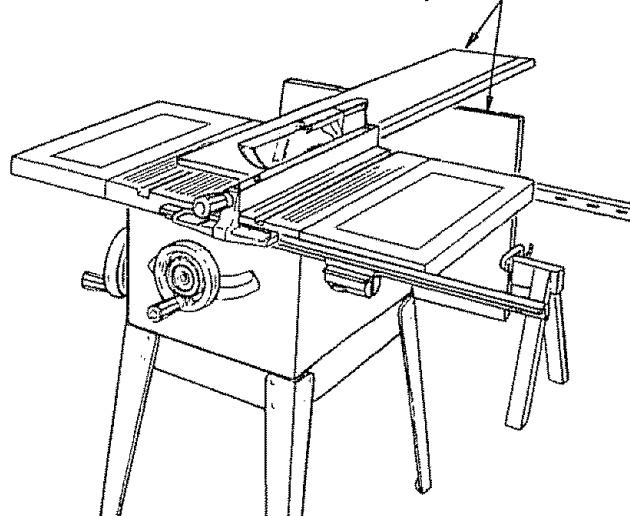
WARNING: To avoid kickback, push forward only on the part of the workpiece that will pass between the blade and the fence.

Keep your hands out of the blade path.

Feed the workpiece by pushing forward only on the part of the workpiece that will pass between the blade and the fence.

Stop your left thumb at the front edge of the table. Finish the cut with the appropriate pusher.

Always Support Long Or Wide Workpieces

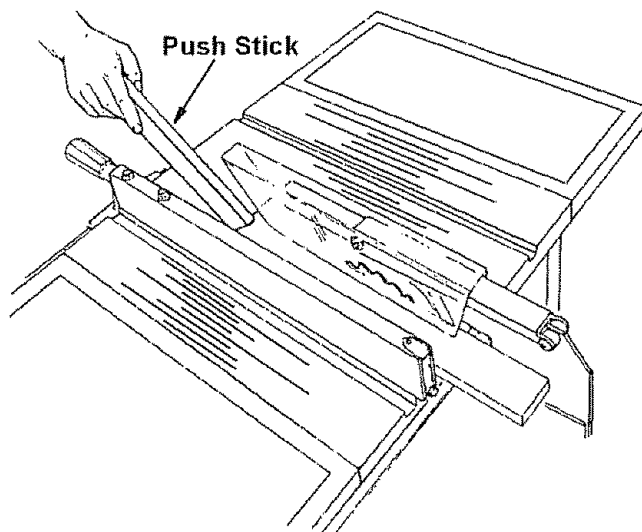


Basic Saw Operations (continued)

Ripping (continued)

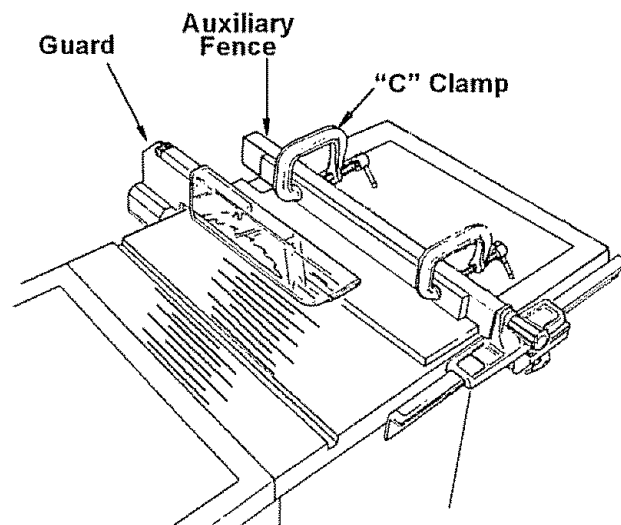
Once the trailing end is on the table:

When "width of rip" is 2" or wider, use the push stick to finish pushing the work all the way past the blade



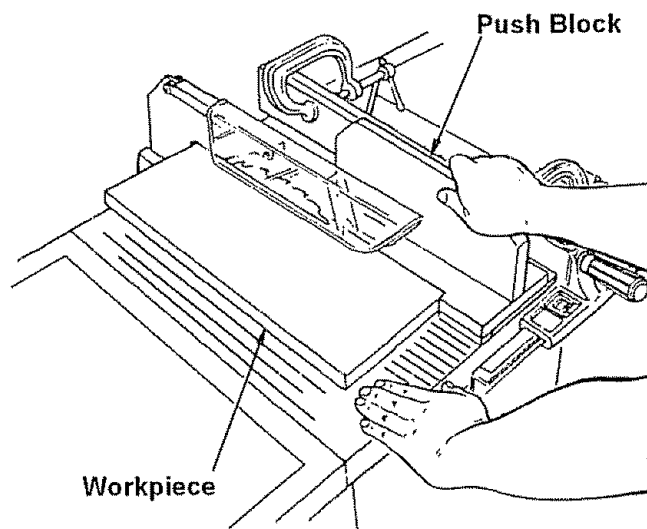
When "width of rip" is narrower than 2" the push stick cannot be used because the guard will interfere...use the auxiliary fence and push block.

Attach auxiliary fence to rip fence with two "C" clamps.



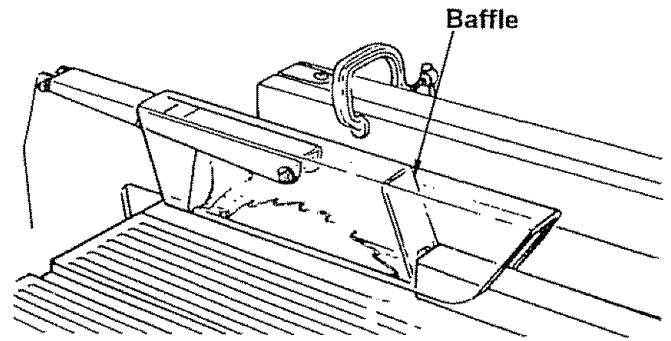
Feed the workpiece by hand along the auxiliary fence until the end is approximately 1" past the front edge of the table. Continue to feed using the push block.

Hold the workpiece in position and install the push block by sliding it on top of the auxiliary fence (this may raise guard)



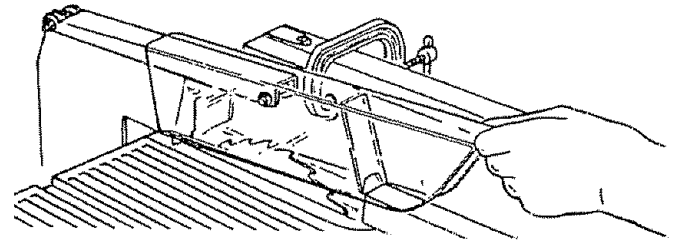
WARNING: To avoid injury from blade contact never thru-saw cuts narrower than 1/2" wide.

Narrow strips thicker than the auxiliary fence/work support may enter the guard and strike the baffle. Carefully raise guard only enough to clear the workpiece. Use push block to complete cut.



Bevel Ripping Narrow Work

When bevel ripping material 6" or narrower, use fence on the right side of the blade only. This will provide more space between the fence and the sawblade for use of a push stick. If the fence is mounted to the left, the sawblade guard may interfere with proper use of a push stick.



Using Featherboards for Thru-Sawing

Featherboards are not employed for thru-sawing operations when using the miter gauge.

Featherboards are used to keep the work in contact with the fence and table as shown, and to help stop kickbacks.

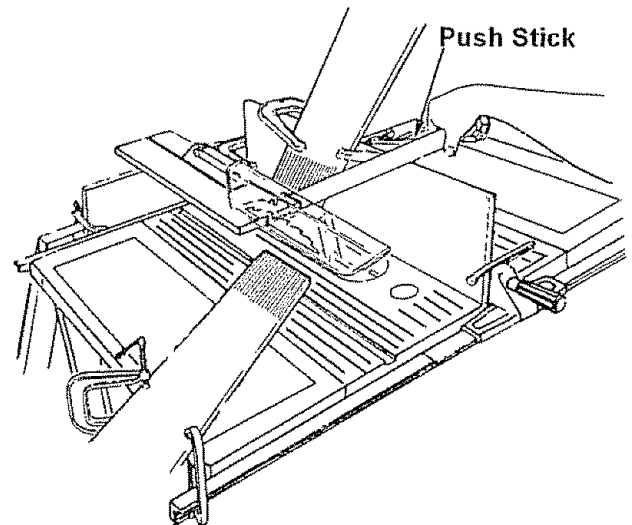
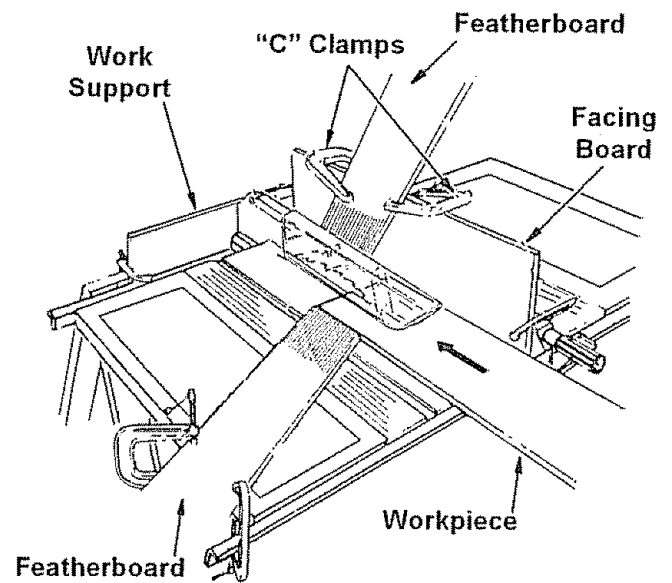
Add a 7-1/2" high flat facing board to the fence, the full length of the fence.

Mount featherboards to facing board and table as shown, so that leading edges of featherboards will support workpiece.

WARNING: Make sure the featherboard against the edge presses only on the uncut portion (in front of the blade). It might otherwise pinch the blade in the kerf and cause a kickback.

Before starting the operation (switch "OFF" and blade below table surface):

1. Install featherboards so they exert pressure on the workpiece; be positive they are securely attached.
2. Make sure by trial that the featherboards will stop a kickback if one should occur.



Basic Saw Operations (continued)

Using Featherboards for Non Thru-Sawing

Featherboards are not employed during non thru-sawing operations when using the miter gauge

Use featherboards for all other non thru-sawing operations (when sawblade guard must be removed) Featherboards are used to keep the work in contact with the fence and table as shown and to stop kickbacks.

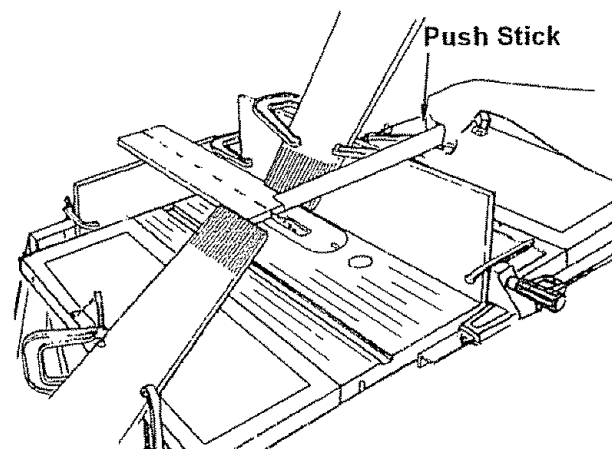
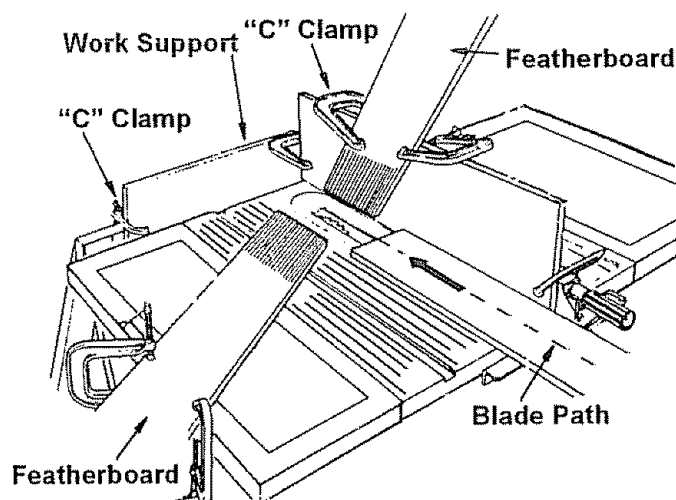
Add a 7-1/2" high flat facing board to the fence, the full length of the fence.

Mount featherboards to facing board and table as shown, so that leading edges of featherboards will support workpiece until cut is complete, and the workpiece has been pushed completely past the cutter (sawblade, dado-head, etc.) with a push stick, as in ripping.

Before starting the operation (switch "OFF" and blade below table surface):

1. Install featherboards so they exert pressure on the workpiece; be positive they are secure.
2. Make sure by trial the featherboards will stop a kickback if one should occur

WARNING: For your own safety, replace the sawblade guard as soon as the non thru-sawing operation is complete.



Resawing

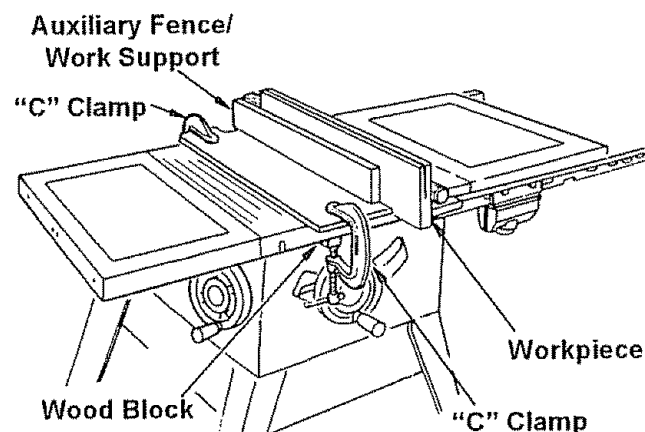
Resawing is a rip cut made in a piece of wood through its thickness. The piece is typically positioned on its edge. If the piece is narrower than 2-1/2" it can be resawn in one pass with the blade guard in place. Extra supports or fixtures will be required when the edge resting on the table is too narrow for the piece to be stable and when the fence interferes with the blade guard. (See method described below)

WARNING: Do not attempt to resaw bowed or warped material. It can't be properly supported. It could kickback or bind.

NOTE: To resaw a piece of wood wider than 2-1/2", or a piece needing extra support, it will be necessary to remove the blade guard and use the auxiliary fence. (See "Workfeed Devices".)

Clamp the auxiliary fence to the table so that the workpiece will slide easily without binding between the two fences and it will not tilt or move sideways

Do not clamp directly to the bottom edge of the table because the "swivel" of the clamp will not grip properly. Place a small block of wood between the bottom edge of the table and the "C" clamp.



WARNING: For your own safety

1. Do not "Backup" (reverse feeding) while resawing because this could cause a kickback.
2. Make first pass to a depth slightly more than one half the width of the board.
3. Keeping the same face of board against the fence rotate it end over end and make the second pass.

WARNING: For your own safety, install blade guard immediately upon completion of the resawing operation.

Dadoing

Instructions for operating the dado head are contained in booklet furnished with the dado head

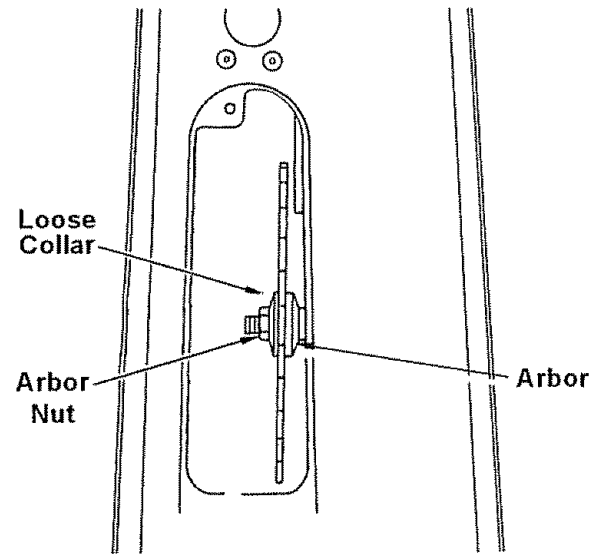
The arbor on the saw, is only long enough so that the widest cut that can be made is 9/16" wide

It is not necessary to install the outside loose collar before screwing on the arbor nut. Make sure the arbor nut is tight.

WARNING: For your own safety, always use dado insert listed under recommended accessories.

When using the dado head, it will be necessary to remove the blade guard and spreader. Use caution. Use miter gauge, fence, featherboards or push sticks as required.

WARNING: For your own safety, always replace the blade, table insert, guard and spreader when you are finished dadoing.



Rabbeting

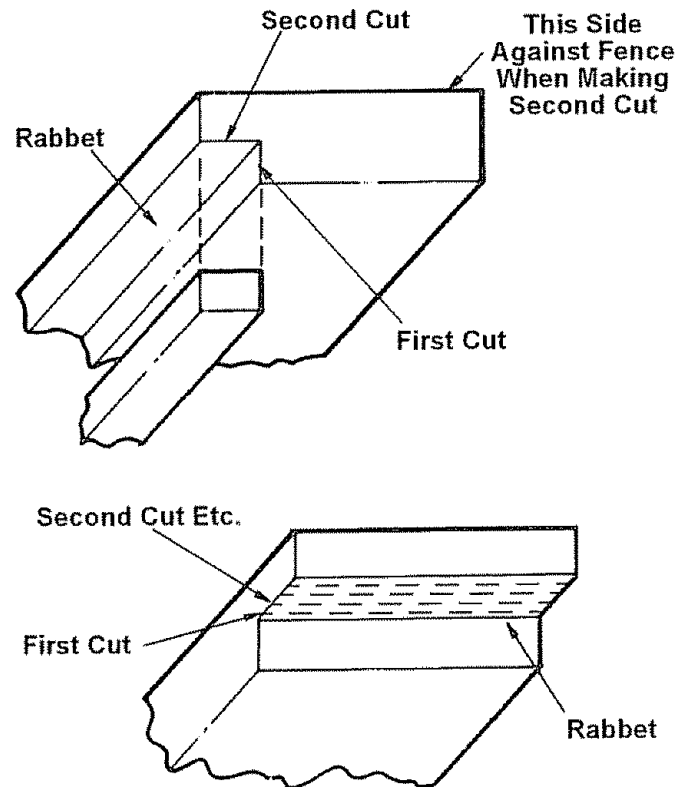
Definition: Cutting out a section of the corner of a piece of material, across an end or along an edge

To make a rabbet requires cuts which do not go all the way through the material. Therefore, the blade guard must be removed.

1. Remove blade guard.
2. For rabbeting along an edge (long way of workpiece) as shown add facing to rip fence approximately as high as the workpiece is wide. Adjust rip fence and blade to required dimensions; then make first cut with board flat on table as any rip (type) cut; make second cut with workpiece on edge. Follow all precautions, safety instructions, and operational instructions as for ripping, or rip type operations, including featherboards and push stick, etc.
3. For rabbeting across an end, for workpiece 10-1/2" and narrower, make the rabbet cut with the board flat on the table. Using the miter gauge fitted with a facing, follow the same procedures and instructions for cross cutting making successive cuts across the width of the workpiece to obtain the desired width of cut. Do not use the rip fence for rabbeting across the end.

WARNING: For your own safety, install blade guard immediately upon completion of rabbeting operation.

Some rabbet cuts can also be made in one pass of the workpiece over the cutter using a dado head.

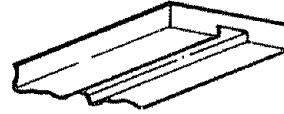


Basic Saw Operations (continued)

Ploughing and Molding

Ploughing is grooving with the grain the long way of the workpiece, using the fence. Use featherboards and push sticks as required.

Molding is shaping the workpiece with the grain the long way of the workpiece, using the fence. Use featherboards and push sticks as required.



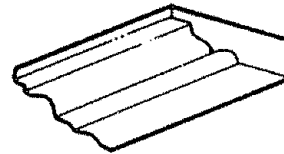
Ploughing

Molding Cutting

Instructions for operating the molding head are contained in a booklet furnished with the molding head.

Always use the molding insert listed under recommended accessories.

When using the molding head it will be necessary to remove the blade guard and spreader. Use caution. Use miter gauge, fence, featherboards, or push sticks, etc., as required.



Molding

WARNING: For your own safety, always replace the blade guard and spreader when you finished ploughing or molding.

Adjustments

WARNING: For your own safety, turn switch "OFF" and remove plug from power source outlet before making any adjustments.

Miter Gauge

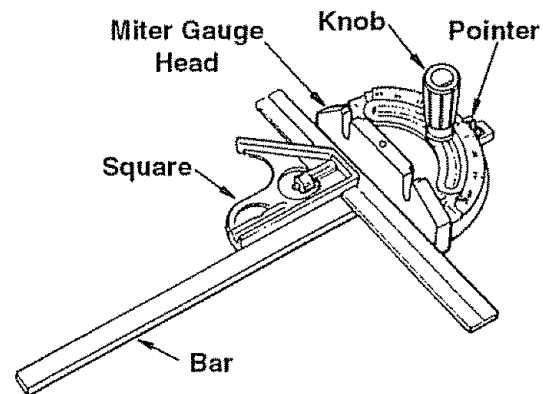
NOTE: The graduations are manufactured to very close tolerances which provide ample accuracy for fine wood-working. In some cases where extreme accuracy is required, when making angle cuts, for example, make a trial cut and then recheck it.

The head should be square (90°) with the bar when the pointer points to "0".

To check for squareness, place an accurate square on the miter gauge. If the head is not square with the bar:

1. Loosen the lock knob
2. Position the head square with the bar. Tighten the lock knob.
3. Loosen the screw and adjust the pointer, so it points to zero.

The swiveling movement of the head can be adjusted by tightening or loosening the set screw located inside of the head using a 1/8" hex "L" wrench.

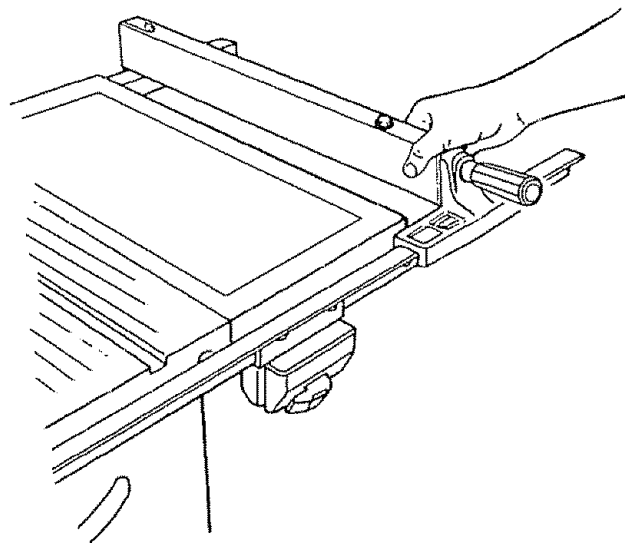


Rip Fence

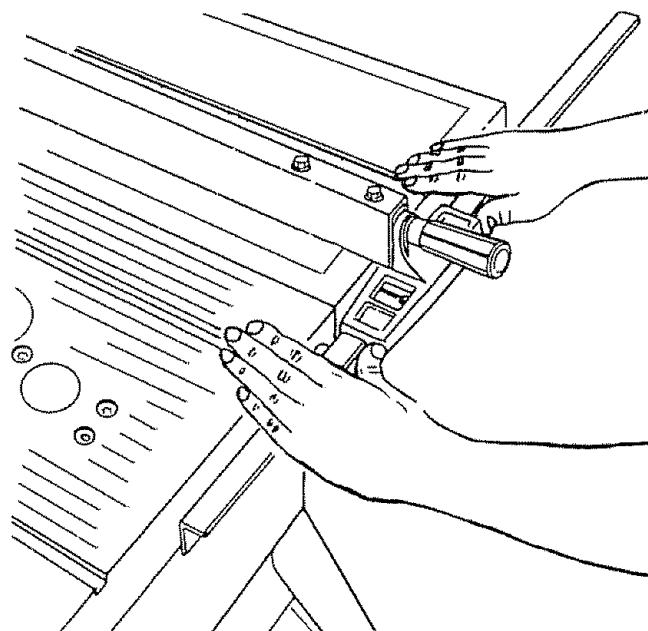
The fence should slide easily along the guide bars and always remain in alignment (parallel to sawblade and miter gauge grooves).

The alignment is maintained by a spring underneath the fence which bears against the front guide bar.

To move the fence, loosen the lock handle and grasp the fence with one hand at the front



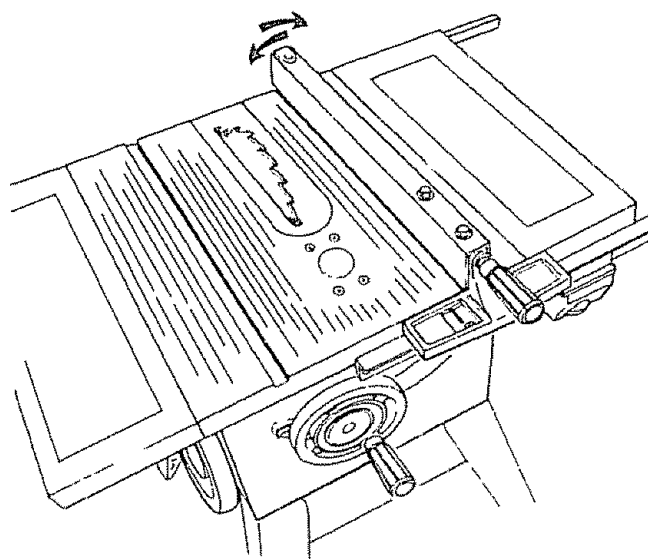
For very close adjustments, grasp the guide bar with both hands and move the fence with your thumbs.



Self Aligning Spring Adjustment

Checking the Fence Spring

1. Place fence on saw but do not lock it.
2. Move the rear end of the fence slightly to the right or left. When you release it, the fence should "spring" back to its original position.
3. If it does not, the spring pressure must be increased.



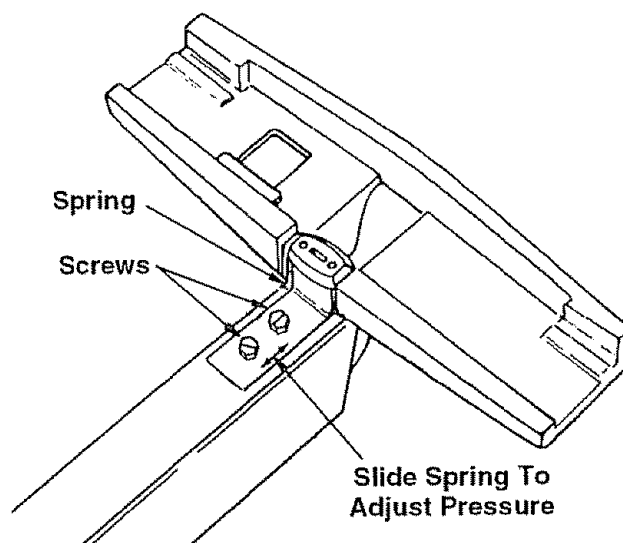
Adjustments (continued)

Adjusting the Spring

1. Loosen the screws.
2. Move spring slightly toward front of fence. Tighten screws.

If the fence does not slide easily along the bars, the pressure of the spring can be reduced.

1. Loosen the screws.
2. Move spring slightly toward rear of fence. Tighten screws.

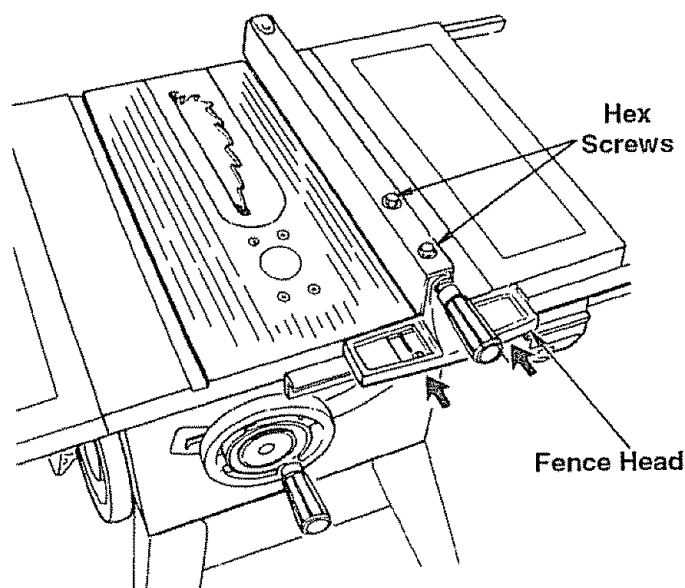


Rip Fence Alignment Adjustment

WARNING: A misaligned rip fence can cause kick-backs and jams. To avoid injury, follow these instructions until the fence is properly aligned.

The rip fence must be parallel with the sawblade and miter gauge grooves. Move fence until it is along side of groove. Do not lock it. It should be parallel to groove. If it is not:

1. Loosen the hex head screws.
2. Hold fence head tightly against bar. Move end of fence so that it is parallel with groove.
3. Alternately tighten the screws.
4. Recheck alignment.
5. Repeat steps, as needed.



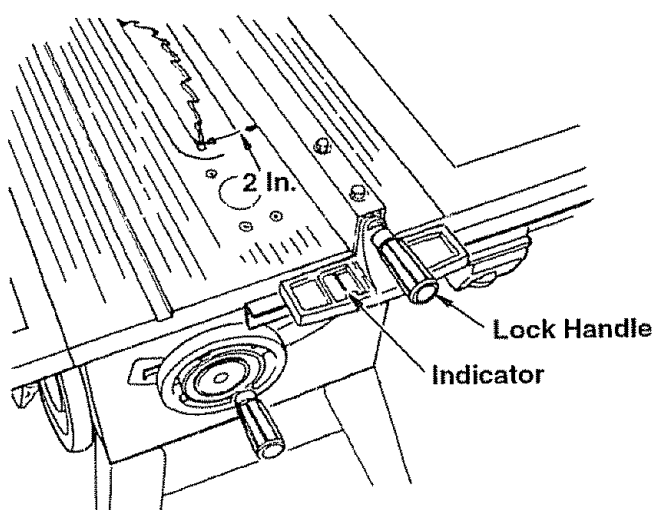
Adjusting Rip Scale Indicator

1. Turn elevation handwheel clockwise until blade is up as high as it will go.

IMPORTANT: Blade must be square (90°) to table, in order to align rip fence.

2. Using a rule, position fence on right side of sawblade 2 inches from the side of the teeth, tighten lock handle.
3. Loosen screw holding the indicator, adjust so that it points to "2" on the rip scale, tighten screw.

NOTE: If you cannot adjust indicator so that it points to "2", loosen the screws holding the front guide bar and move the guide bar.



Heeling Adjustment or Parallelism of Sawblade to Miter Gauge Groove

While cutting, the material must move in a straight line parallel to the sawblade. Therefore, both the miter gauge groove and the rip fence must be parallel to the sawblade.

WARNING: The blade must be parallel to the miter gauge groove. Misaligned blades could bind on workpiece. Workpiece could suddenly kickback. You could be cut or hit.

If the sawblade is not parallel to the miter gauge groove, the blade will bind at one end of the cut. This is known as "Heeling").

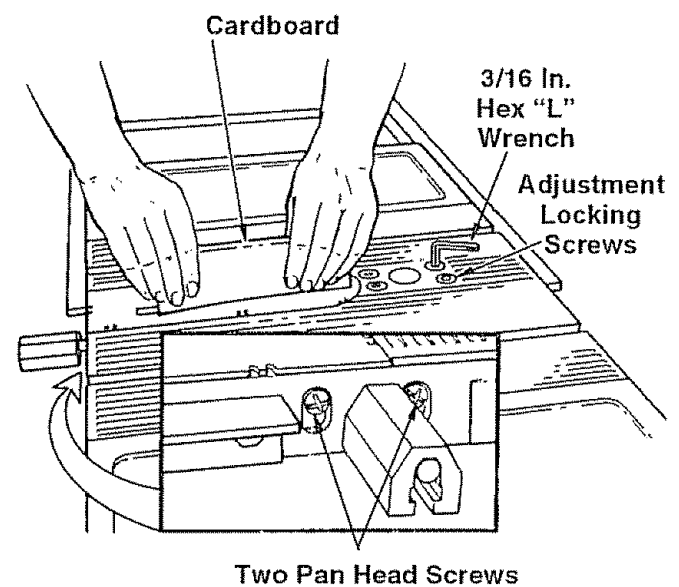
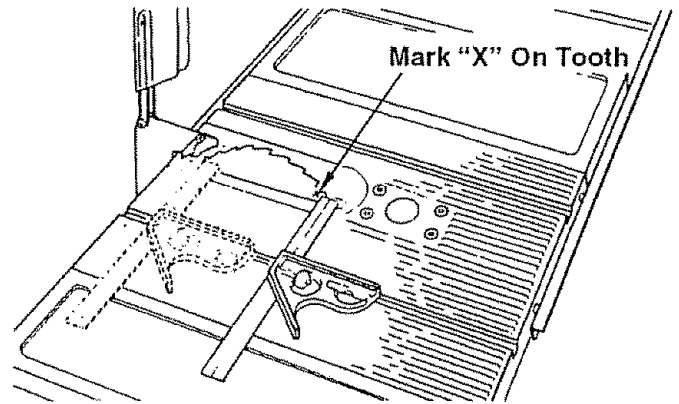
WARNING: To avoid injury from accidental start, make sure switch is "OFF" and plug is not connected to power source outlet.

To check for parallelism:

1. Raise blade all the way up, raise blade guard
2. Mark an "X" on one of the teeth of the sawblade which is naturally bent to the left.
3. Place the head of a combination square in the left miter gauge groove. Adjust ruler blade of square so that it just touches the tip of the marked tooth. Remember to keep the head of the square flush against the miter gauge groove.
4. Rotate the sawblade so that the "X" on the tooth is now visible at the rear of the saw.
5. Move combination square to the rear of the saw. The end of the square blade should just touch the marked tooth the same as it did at the front of the sawblade.
6. If sawblade is not parallel with the miter gauge groove, you must adjust the position of the sawblade.

To Adjust For Blade Heel:

1. Use a 3/16" hex "L" wrench to loosen the four adjustment locking screws about 1/2 turn
2. Loosen two pan head screws on the rear skirt of the table about 1/2 turn.
3. The mechanism under the table can now be moved sideways from above by covering the sawblade with a piece of cardboard and shifting the blade to the right or left as required.
4. After shifting the sawblade mechanism slightly, recheck the position of the marked tooth of the sawblade at both front and rear.
5. The tooth marked on the sawblade should be parallel to the miter gauge groove after adjustment is made.
6. Tighten all screws carefully so as not to move sawblade out of alignment
7. Recheck parallelism of marked sawblade tooth to the miter gauge groove. Repeat the steps for heeling adjustment if necessary



Adjustments (continued)

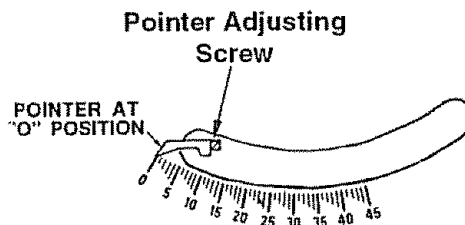
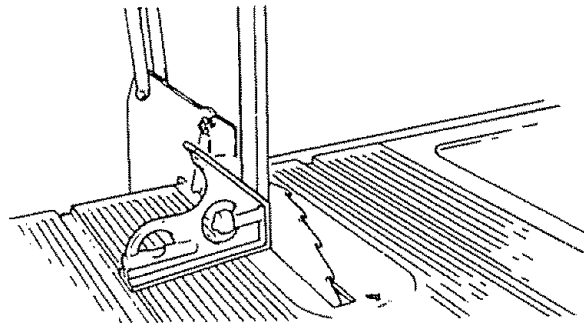
Blade Tilt, or Squareness of Blade to Table

When the bevel pointer is pointing directly to the "0" mark on the bevel scale, the sawblade should make a square cut 90° to the table.

WARNING: To avoid injury from accidental start, turn switch "OFF" and remove plug from power source outlet.

To check for squareness, 90° position.

1. Raise blade all the way up, raise blade guard.
2. Tilt blade a few degrees to the left. Now tilt blade back to the right as far as it will go.
3. Place the square against the blade. Make sure square is not touching the tip of one of the saw teeth.
4. If blade is square to table; check pointer
 - A. If pointer does not point to "0" mark on the bevel scale, bend pointer to read "0".

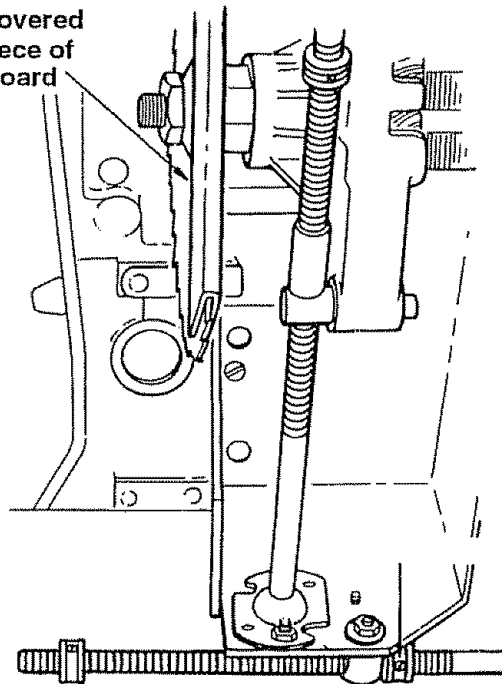


5. If blade is not square to table, the 90° limit stop must be adjusted.

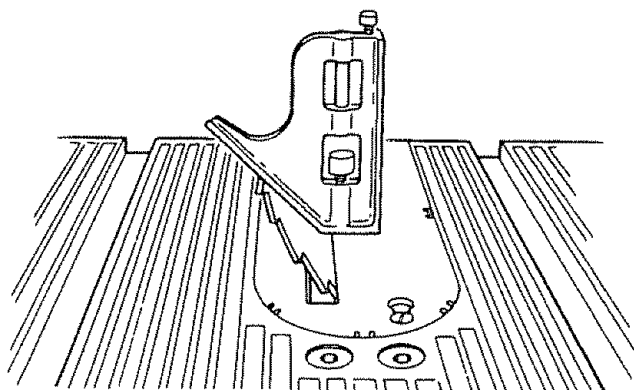
CAUTION: Cover blade with piece of cardboard to protect your hand.

- A. Using a small size screwdriver, reach underneath saw and loosen both set screws in 90° stop collar.
- NOTE:** If you can't reach the set screws turn the tilt handwheel slightly.
- B. Rotate the stop collar moving it away from pivot nut.
- C. Tilt blade right or left, checking with your square until blade is square to table.
- D. Rotate stop collar toward pivot nut until it touches the pivot nut. Tighten the set screws.
- E. Check pointer, if it does not point to the "0" mark on the bevel scale bend pointer to read "0".

Blade Covered With Piece of Cardboard

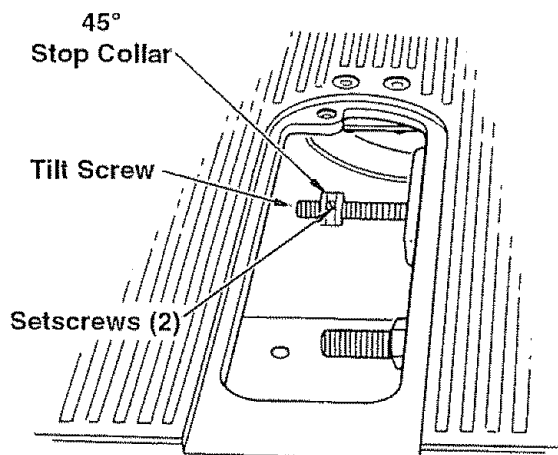


- 6. Tilt blade to left as far as it will go. It will stop when the pivot nut is against the 45° stop collar.
- 7. Place an accurate square against blade. Make sure square is not touching the tip of one of the saw teeth.



8. If blade is not 45° to table, the 45° stop collar must be adjusted.

- A. Remove elevation handwheel
- B. Using a small size screwdriver, reach through curved slot in front trim panel and loosen both setscrews in 45° stop collar
- NOTE:** If you can't reach the setscrews, turn the tilt handwheel slightly
- C. Rotate the stop collar moving it in or out and tilt blade right or left, checking with your square, until blade is 45° to table
- D. Tighten the setscrews
- NOTE:** If you can't reach the setscrews, turn the tilt handwheel slightly.
- E. Reinstall elevation handwheel

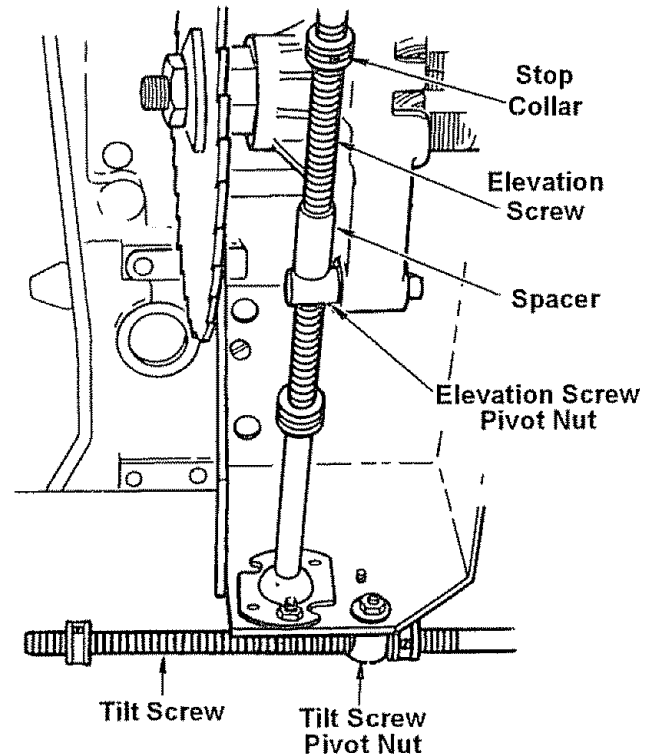


Adjustments (continued)

Blade Elevation

When the elevation handwheel is turned clockwise, until it stops, the blade must not be more than 2-5/8 inches above the table. If the blade extends more than 2-5/8 inches, the motor could interfere with the underside of the table causing misalignment.

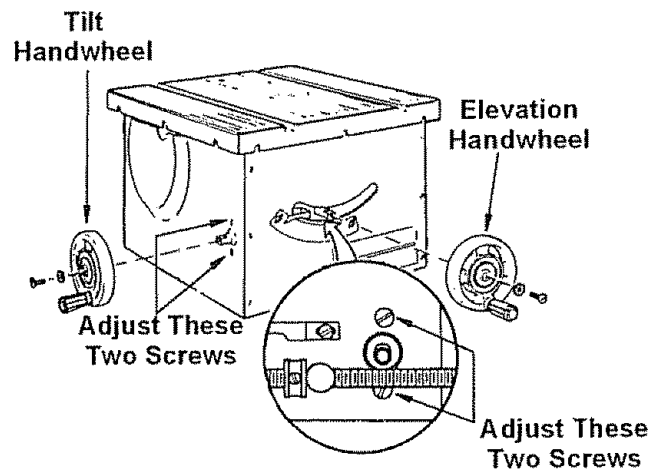
With the blade extending 2-5/8 inches above the table, the stop collar and spacer must be against the elevation screw pivot nut. If the blade extends more than 2-5/8 inches, loosen two screws in stop collar, and readjust it.



Tilt and Elevation Mechanism

The handwheels should turn freely without binding. The turning action can be adjusted by tightening or loosening the screws in the bearing retainer. Both handwheels must be removed to reach the adjusting screws.

NOTE: When adjusting the screws on the tilt bearing retainer, hold the nut inside using a 3/8" wrench. The screws for the elevation bearing retainer can be reached with a small screwdriver through the curved slot on the front of the saw.



Maintaining Your Table Saw

Maintenance

WARNING: For your own safety, turn switch "OFF" and remove plug from power source outlet before maintaining or lubricating your saw.

- Do not allow sawdust to accumulate inside the saw. Frequently blow out any dust that may accumulate inside the saw cabinet and the motor
- Clean your cutting tools with a gum and pitch remover
- The cord and the tool should be wiped with a dry clean cloth to prevent deterioration from oil and grease
- If the power cord is worn, cut, or damaged in any way, have it replaced immediately.

If disassembly of the motor is necessary, it should be returned to your nearest Sears retail or main order store in order to prevent voiding the guarantee.

NOTE: The speed of this motor cannot be regulated or changed.

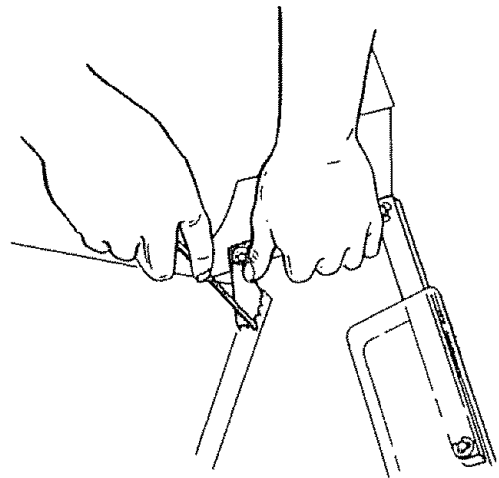
Every effort should be made to prevent foreign material from entering the motor. When operated under conditions likely to permit accumulations of dust, dirt, or waste within the motor, a visual inspection should be made at frequent intervals. Accumulations of dry dust can be blown out successfully.

NOTE: Motors used on woodworking tools are particularly susceptible to the accumulation of sawdust and wood chips and should be blown out or "vacuumed" frequently to prevent interference with normal motor ventilation.

Anti-Kickback Pawls

Make sure the teeth of the anti-kickback pawls are always sharp. To sharpen:

1. Remove blade guard.
2. Rotate pawl toward rear of spreader so that teeth are above top of spreader.
3. Hold spreader with left hand and place pawl over corner of workbench as shown.
4. Using a small round file (smooth cut) sharpen the teeth.
5. Reinstall blade guard

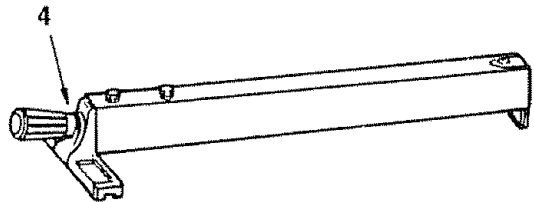
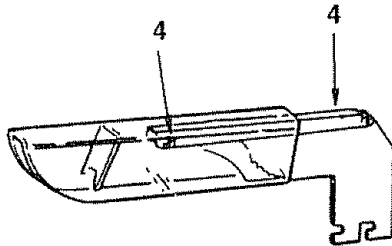
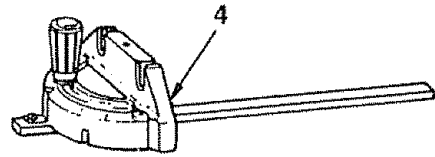
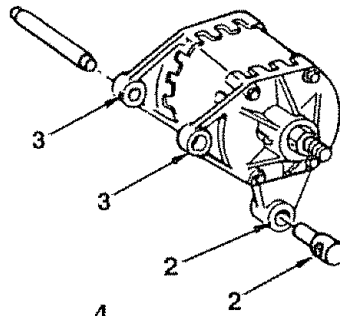
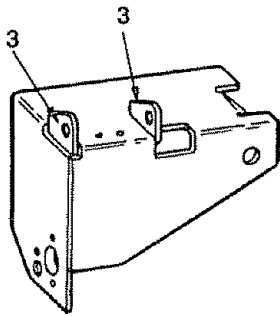
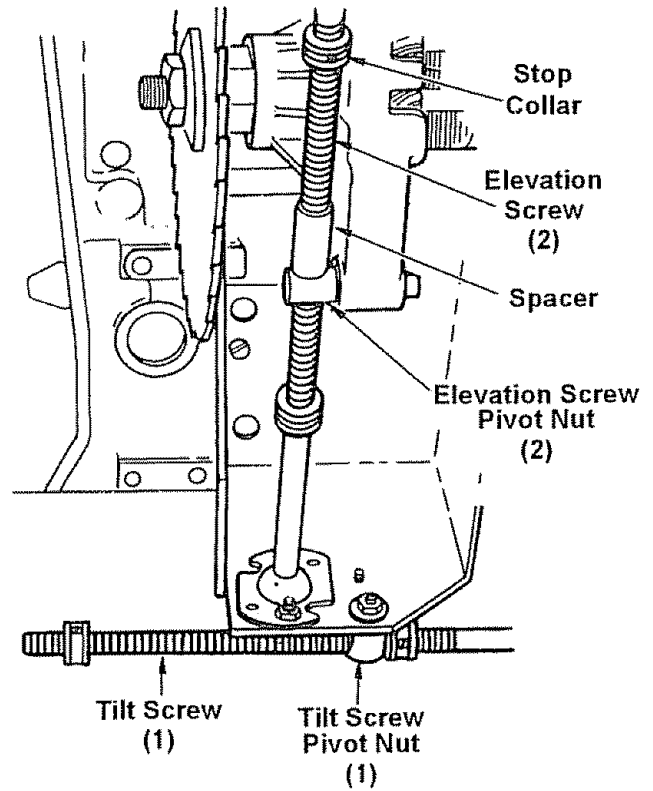


Maintaining Your Table Saw (continued)

Lubrication

The saw motor bearings have been packed at the factory with proper lubricant and require no additional lubrication. The following parts should be oiled occasionally with SAE no. 20 or no. 30 engine oil.

1. Tilt screw threads and pivot nut. (First clean with Craftsman Gum and Pitch remover.)
2. Elevation screw threads and pivot nut. (First clean with Craftsman Gum and Pitch remover.)
3. Cradle bearing points.
4. Bearing points in guard assembly, miter gauge and rip fence.



Sears Recommends the Following Accessories

Sears Recommends the Following Accessories

Item	Cat. No.	Item	Cat. No.
Caster Sets	See Catalog	Miter Gauge Stop Rods	9-29924
*7 In. Molding Head Set	See Catalog	Miter Gauge Hold-Down Clamp	9-29928
*7 In. Molding head	See Catalog	Storage Hooks (Miter Gauge/Rip Fence)	9-32038
Molding/Dado Insert for 7 In. Dia. Molding or Dado Head	9-29933	Taper Jig	See Catalog
Work Light	See Catalog	Universal Jig	See Catalog
Sawdust Collection System	9-29962	"Power Tool Know How Handbook"	9-29115
Whole Shop Sawdust Collector Kit	9-29964		
7 In. Dia. Adjustable Dado Head	See Catalog		
7 In. Dia. Dado Head	See Catalog		
Sanding Wheel	See Catalog		
Miter Gauge	9-29930		

* Smaller diameter molding heads cannot be used because they do not provide adequate depth of cut.

Sears may recommend other accessories not listed in manual.

See your nearest Sears store for other accessories.

Do not use any accessory unless you have received and read complete instructions for its use.

WARNING: Use only accessories recommended for this saw. Using other accessories may be dangerous.

Troubleshooting

WARNING: For your own protection, turn switch "OFF" and always remove plug from power source outlet before troubleshooting.

General

Trouble	Probable Cause	Remedy
Excessive Vibration	1. Blade out of balance	1. Discard blade and use a different blade.
Cannot make square cut when crosscutting.	1. Miter gauge not adjusted properly.	1. See "Adjustments" section "Miter Gauge."
Cut binds, burns or stalls motor when ripping.	1. Dull blade or improper tooth set. 2. Blade is heeling. 3. Warped board 4. Rip fence not parallel to blade. 5. Spreader out of alignment.	1. Sharpen or replace blade. 2. See "Adjustments" section, "Heeling Adjustment". 3. Make sure concave or hollow side is facing "down" feed slowly. 4. See "Adjustments" section, "Rip Fence." 5. See "Assembly" section, "Installing Blade Guard."
Cut not true at 90° or 45° positions.	1. Stop Collars not properly adjusted.	1. See "Adjustment" section, "Blade Tilt, or Squareness of Blade to Table".
Tilt and elevating hand-wheel turn hard.	1. Sawdust on threads of tilt screw or elevating screw. 2. Bearing retainers too tight.	1. See "Maintaining Your Table Saw" section, Lubrication 2. See "Adjustments" section, "Tilt and Elevation Mechanism"

Motor

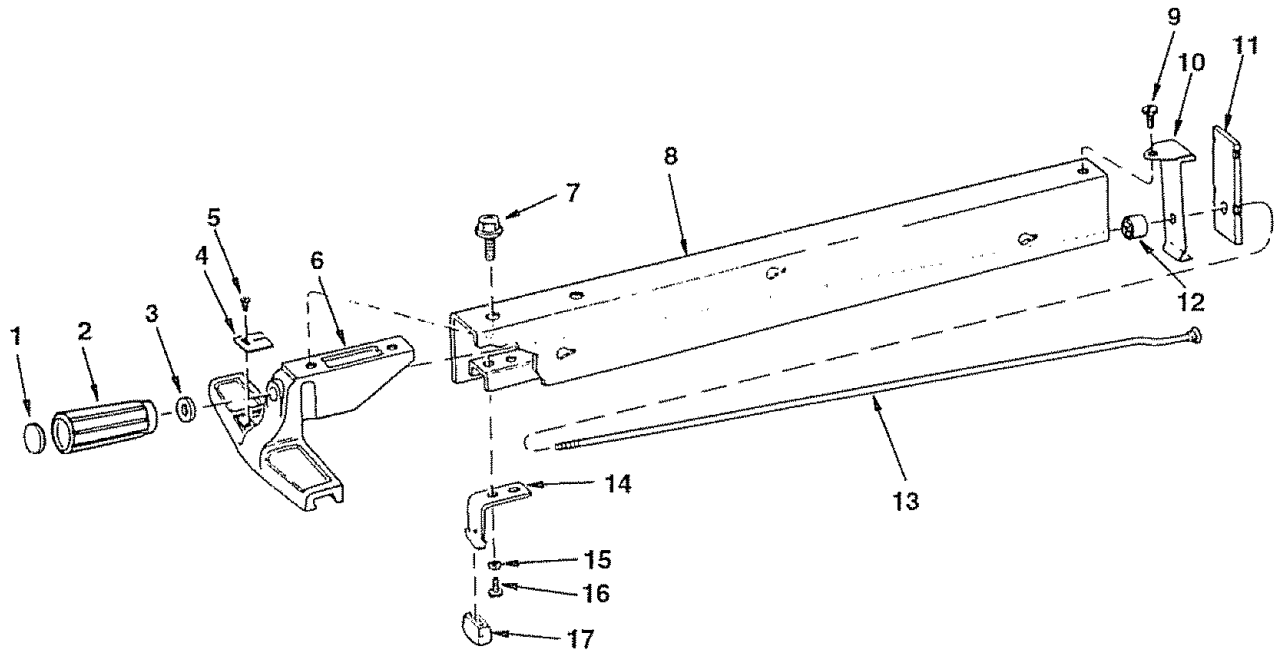
NOTE: Motors used on wood working tools are particularly susceptible to the accumulation of sawdust and wood chips and should be blown out or "Vacuumed" frequently to prevent interference with normal motor ventilation.

Trouble	Probable Cause	Remedy
Excessive Noise	1. Motor	1. Have motor checked by qualified service technician. Repair service is available at your nearest Sears store.
Motor fails to develop full power NOTE: Low Voltage: (Power output of motor decreases rapidly with decrease in voltage at motor terminals. For example, a reduction of 10% in voltage causes a reduction of 19% in maximum power output of which the motor is capable, and a reduction of 20% in voltage causes a reduction of 36% in maximum power output.)	1. Circuit overloaded with lights, appliances and other motors. 2. Undersize wires or circuit too long 3. General overloading of power company facilities. (In some sections of the country, demand for electrical power may exceed the capacity of existing generating and distribution systems.) 4. Incorrect fuses or circuit breakers in power line.	1. Do not use other appliances or motors on same circuit when using the saw. 2. Increase wire sizes, or reduce length of wiring. See "Motor Specifications and electrical Requirements" section 3. Request a voltage check from the power company 4. Install correct fuses or circuit breakers
Motor starts slowly or fails to come up to full speed	1. Low voltage. 2. Windings burned out or open 3. Starting relay not operating	1. Request voltage check from the power company. 2. Have motor repaired or replaced. 3. Have relay replaced.
Motor overheats	1. Motor overloaded 2. Improper cooling. (Air circulation restricted through motor due to sawdust, accumulating inside of saw.)	1. Feed work slower into blade. 2. Clean out sawdust to provide normal air circulation through motor. See "Maintenance" and "Lubrication" section.
Relay will not operate	1. Burned contacts (due to extended hold-in periods caused by low line voltage, etc.) 2. Saw not in upright position. 3. Loose or broken connectors.	1. Have relay replaced and request a voltage check from the power company. 2. Place saw in upright position. 3. Have wiring checked and repaired.
Motor stalls (resulting in blown fuses or tripped circuit breakers)	1. Starting relay not operating. 2. Voltage too low to permit motor to reach operating speed. 3. Fuses or circuit breakers do not have sufficient capacity.	1. Have relay replaced. 2. Request voltage check from the power company 3. Install proper size fuses or circuit breakers.
Frequent opening of fuses or circuit breakers	1. Motor overloaded 2. Fuses or circuit breakers do not have sufficient capacity. 3. Starting relay not operating (motor does not reach speed.)	1. Feed work slower into blade. 2. Install proper size fuses or circuit breakers 3. Have relay replaced.

Parts List for Craftsman 10 Inch Table Saw

Model No. 113.299210

Figure 1 - Fence Assembly



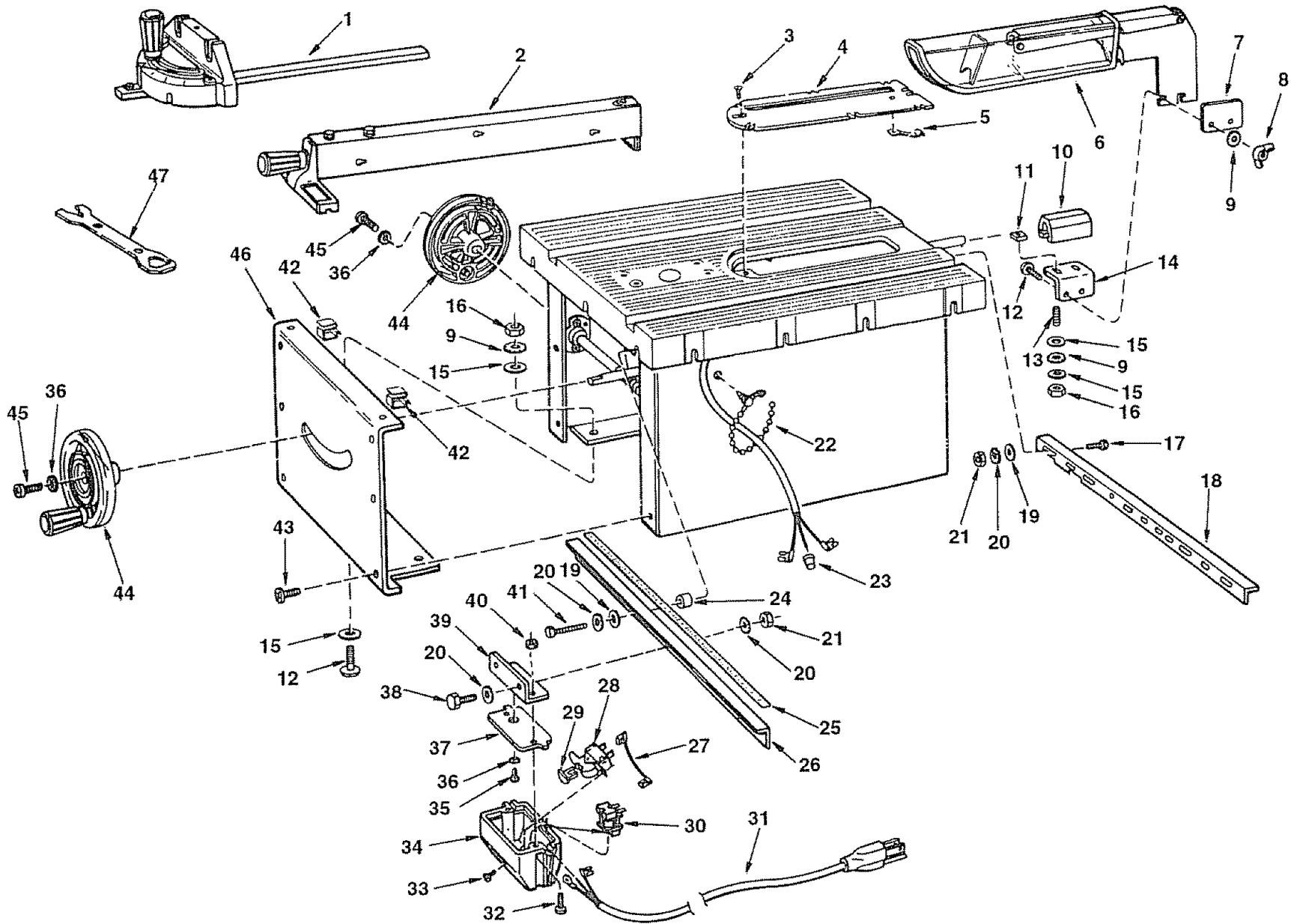
Always Order by Part Number - not by Key Number

Key No.	Part No.	Description
1	62693	Plug, Button
2	62692	Knob (Includes Key No. 1)
3	STD551031	* Washer, 21/64 x 1/2 x 1/32
4	62775	Indicator, Fence
5	9404336	* Screw, Pan Hd. Type "T" 4-40 x 1/4
6	62774	Head, Fence (Includes Key No. 4)
7	423567	Screw, Sems 3/8-16 x 1/2
8	62582	Channel, Fence
9	STD600805	* Screw, Pan Hd. Type "T" 8-32 x 1/2
10	62528	Spring, Fence Lock
11	62529	Lock, Rear Fence
12	62531	Roller, Rear Fence
13	62944	Rod, Fence Lock
14	508112	Spring Head Alignment (Includes Key No. 17)
15	STD551210	* Lockwasher, External No. 10
16	STD611005	* Screw, Type "A", Hex Hd. No. 10 x 1/2
17	62532	Pad, Alignment

* Standard Hardware Item - May be purchased locally

Parts List for Craftsman 10 Inch Table Saw
 Model No. 113.299210
 Figure 2

48



**Parts List for Craftsman 10 Inch Table Saw
Model No. 113.299210**

Figure 2

Always Order by Part Number - not by Key Number

Key No.	Part No.	Description
1	9-29929	† Gauge Assembly, Miter (See Figure 8)
2	—	Fence Assembly, Rip (See Figure 4)
3	447441	Screw, Flat Hd. Type "T" 10-32 x 7/8
4	62514	Insert Assembly (Includes Key No. 5)
5	62545	Clip, Retaining
6	—	Guard Assembly (See Figure 3)
7	62643	Clamp, Spreader
8	STD541625	* Nut Wing 1/4-20
9	STD551225	* Lockwasher, External Tooth 1/4
10	62642	Support, Spreader
11	62636	Nut, Square 1/4-20
12	60314	Screw, Truss 1/4-20 x 1/2
13	60074	Screw, Set Hex Cup 1/4-20 x 7/8
14	62809	Bracket
15	STD551025	* Washer, 17/64 x 9/16 x 1/16
16	STD541025	* Nut, Hex 1/4-20
17	STD523110	Screw, Hex Hd. 5/16-18 x 1
18	820425	Bar, Fence Rear
19	STD551031	* Washer, 21/64 x 5/8 x 1/16
20	STD551231	* Lockwasher, External Tooth 5/16
21	STD541231	* Nut, Hex 5/16-18
22	71165	Tie, Wire
23	STD375006	* Connector, Wire
24	62539	Spacer, Fence Guide Bar
25	62710	Tape, Fence

* Standard Hardware Item - May be purchased locally

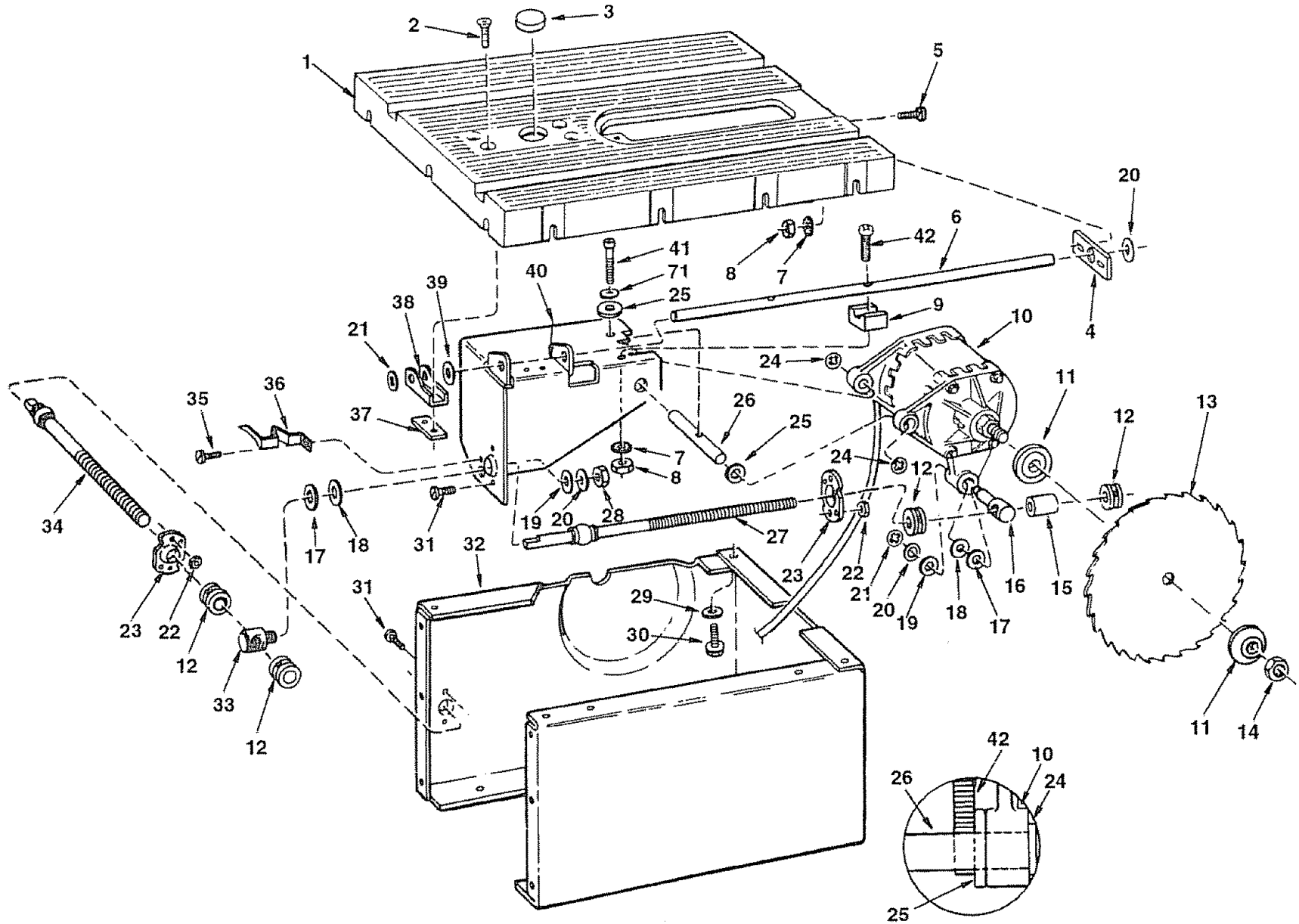
Key No.	Part No.	Description
26	820617	Bar Assembly, Fence Guide (Includes Key No. 25)
27	818511	Lead Assembly
28	62442	Switch, Locking
29	9-22255	† Key Switch
30	62975	Relay
31	805920	Cord with Plug
32	STD511105	* Screw, Pan Cross 10-32 x 5/8
33	STD600603	* Screw, Pan Cross Type "T" 10-32 x 3/8
34	62970	Housing, Switch
35	STD601103	* Screw, Pan Rec. Type "T" 10-32 x 3/8
36	STD551210	* Lockwasher, External No. 10
37	62924	Plate, Switch
38	STD523107	* Screw, Hex Hd. 5/16-18 x 3/4
39	62968	Bracket, Switch
40	STD541411	* Nut, Lock 10-32
41	STD523115	* Screw, Hex 5/16-18 x 1-1/2
42	62204	Clip, Cord
43	STD611105	* Screw, Pan Hd., Type "AB" No. 10 x 1/2
44	820452	Handwheel Assembly
45	STD511107	* Screw, Pan Hd. 10-32 x 5/8
46	820435	Panel, Front
47	3540	Wrench, Arbor
—	SP5909	Owners Manual (Not Illustrated)

† Stock Item - May be secured through the hardware department of most Sears stores.

Parts list for Craftsman 10 Inch Table Saw
Model No. 113.299210

Figure 3

50



**Parts List for Craftsman 10 Inch Table Saw
Model 113.299210**

Figure 3

Always Order by Part Number - not by Key Number

Key No.	Part No.	Description
1	62791	Table Saw
2	805297-1	Screw, Flat Hd. 5/16-18 x 1-1/4
3	62493	Insert, Exact-I-Cut
4	62629	Support, Rod
5	STD511107	* Screw, Pan Hd. 10-32 x 3/4
6	62795	Rod, Cradle
7	STD551210	* Lockwasher, External Tooth No. 10
8	STD541110	* Nut, Hex No. 10-32
9	62792	Spacer, Cradle Rod
10	62962	• Motor
11	62498	Collar, Blade
12	62683	Collar, Stop L.H.
13	9-32668	† Blade, Saw 10 Inch
14	6362	Nut, Arbor
15	60303	Spacer
16	62681	Nut, Elevation Pivot
17	60328	Washer, Nylon
18	806200-2	Washer, Rubber
19	62648	Washer, Rubber
20	STD551037	* Washer, 17/64 x 47/64 x 1/16
21	60301	★ Ring Retaining 3/8

* Standard Hardware Item - May be purchased locally.

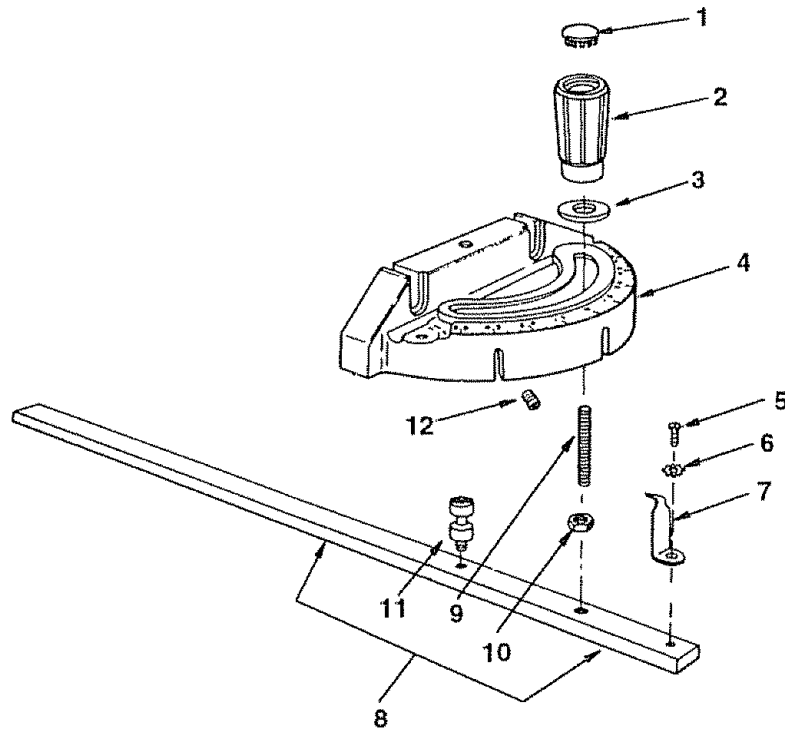
† Stock Item - May be secured through the Hardware Department of most Sears retail stores.

Key No.	Part No.	Description
22	STD541411	* Nut, Lock 10-32
23	62437	Retainer Bearing (Includes 22 & 31)
24	60436	★ Ring, Retaining 7/16
25	STD551050	* Washer, .505 x 1-1/8 x 1/16
26	62796	Rod, Motor (Includes Key #25)
27	62682	Screw Assembly, Elevation
28	STD541425	* Nut, Lock 1/4-20
29	STD551231	* Lockwasher, 5/16
30	60078	Screw, Hex Hd. 5/16-18 x 1/2
31	STD511103	* Screw, Pan Hd. 10-32 x 3/8
32	62967	Base, Saw
33	62685	Nut, Bevel Pivot
34	62684	Screw Assembly, Tilt
35	STD600803	* Screw, Type "T" Pan 8-32 x 3/8
36	62686	Indicator, Bevel
37	62436	Nut, Twin
38	62625	Hanger
39	62435	Washer, Thrust 3/8 x 5/8 x 1/16
40	62623	Cradle Assembly
41	436594	Screw, Pan Hd. 10-32 x 1-1/2
42	436593	Screw, Pan Hd., 10/32 x 1-3/8

★ If this part is removed, discard and replace with a new retaining ring.

• Any attempt to repair this motor may create a hazard unless repair is done by a qualified service technician. Repair service is available at your nearest Service Center/Department.

**Parts List for Craftsman 10 Inch Table Saw
Model No. 299210
Figure 4 - Miter Gauge Assembly**



Always Order by Part Number - not by Key Number

Key No.	Part No.	Description
—	9-29929	† Gauge Assembly, Miter
1	62693	Plug, Button
2	62692	Knob (Includes Key No. 1)
3	STD551031	* Washer, Plain, 21/64 x 1 x 1/16
4	37893	Gauge, Miter
5	STD510803	* Screw, Pan Hd, 8-32 x 5/16
6	STD551208	* Lockwasher, External No. 8
7	62042	Indicator
8	62252	Rod Assembly, Miter Gauge, (Includes Key No. 9, 10, 11)
9	62225	Stud, Clamp
10	STD541231	* Nut, Hex, Jam, 5/16-18
11	62383	Stud, Pivot
12	60288	Screw, Locking Set, 1/4-20 x 3/8

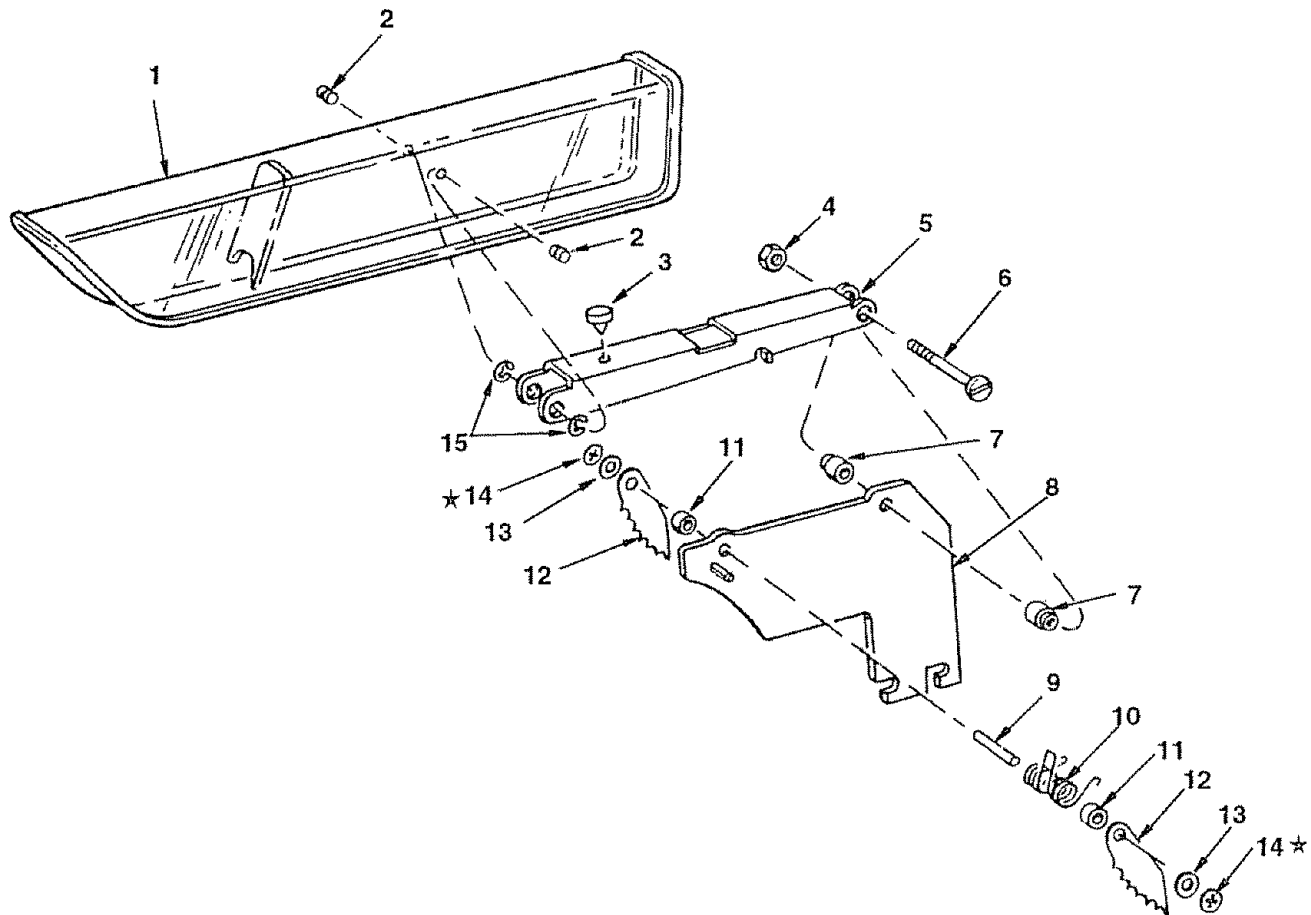
* Standard Hardware Item - May be purchased locally

† Stock Item - May be secured through the hardware department of most Sears retail stores.

Repair Parts

Parts List for Craftsman 10 Inch Table Saw Model 113.299210

Figure 5 - Guard Assembly



Always Order by Part Number - not by Key Number

Key No.	Part No.	Description
1	62415	Guard, Saw
2	62516	Pin
3	62650	Bumper, Snap In
4	STD541425	* Nut, Lock 1/4-20
5	62517	Link, Guard
6	STD512515	* Screw, Pan Hd., 1/4-20 x 1-1/2
7	62522	Spacer, Link
8	62810	Blade, Spreader
9	62410	Pin, 1/4 x 1-3/64
10	62519	Spring, Pawl
11	62520	Spacer, Pawl
12	62974	Pawl
13	STD551025	* Washer, 17/64 x 1/2 x 1/32
14	60208	* Nut Push
15	STD581025	* Ring, Retaining 1/4

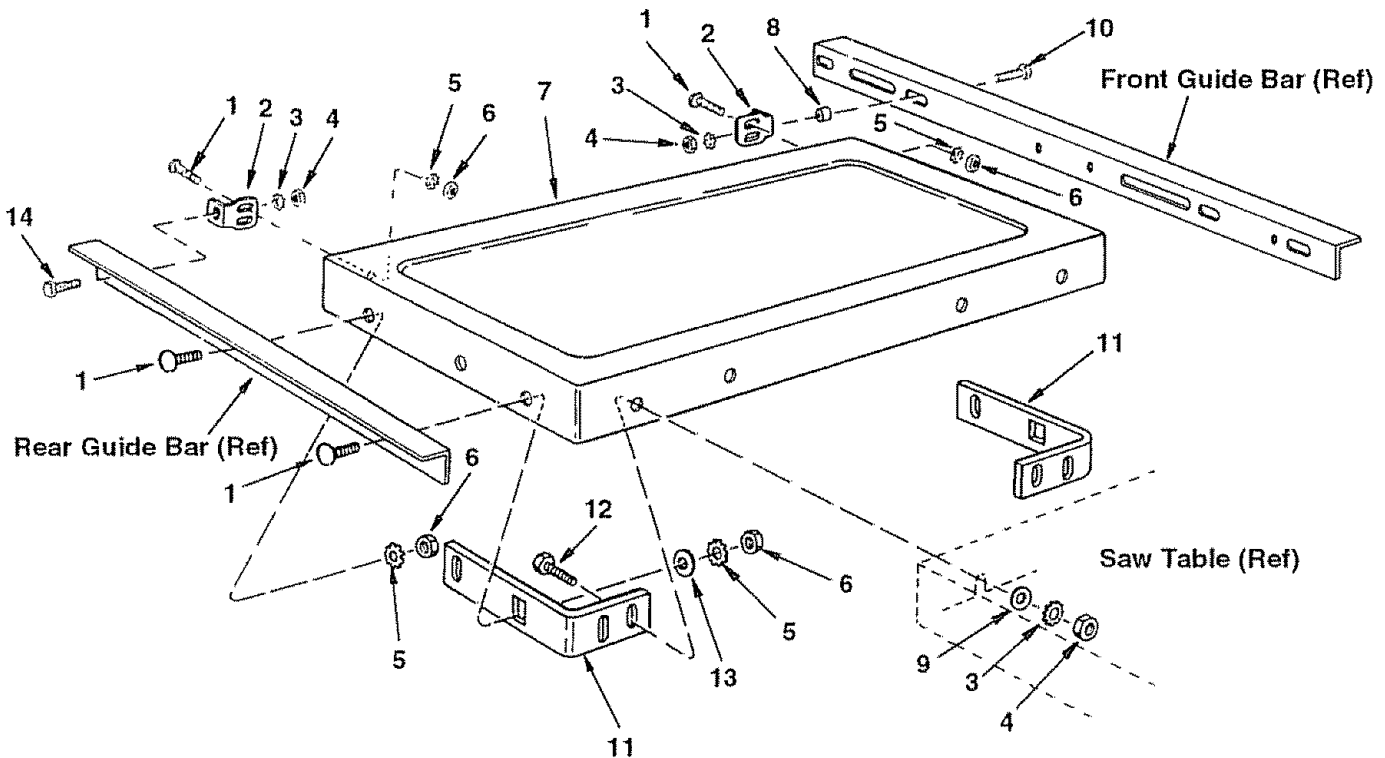
* Standard Hardware Item - May be purchased locally

* If this part is removed, discard and replace with a new push nut.

Parts List for Craftsman 10 Inch Table Saw

Model No. 113.299210

Figure 6 - Table Extensions



Always Order by Part Number - not by Key Number

Key No.	Part No.	Description
—	9-29957	† Extension Assembly, Complete
1	60323	Screw, Serrated Truss Hd, 1/4-20 x 1
2	818308	Bracket
3	STD551231	* Lockwasher, External 5/16
4	STD541031	* Nut, Hex 5/16-18
5	STD551225	* Lockwasher, External 1/4
6	STD541025	* Nut Hex, 1/4-20
7	62590	Extension, 10 x 27
8	62539	Spacer, Fence Guide Bar
9	STD551031	* Washer, 21/64 x 11/16 x 1/16
10	STD523115	* Screw, Hex Hd. 5/16-18 x 1-1/2
11	62549	Bracket, Corner Support No. 2
12	STD523112	* Screw, Hex Hd. 5/16-18 x 1-1/4
13	STD551025	* Washer, 17/64 x 3/4 x 1/16
14	STD523110	* Screw, Hex Hd. 5/16-18 x 1

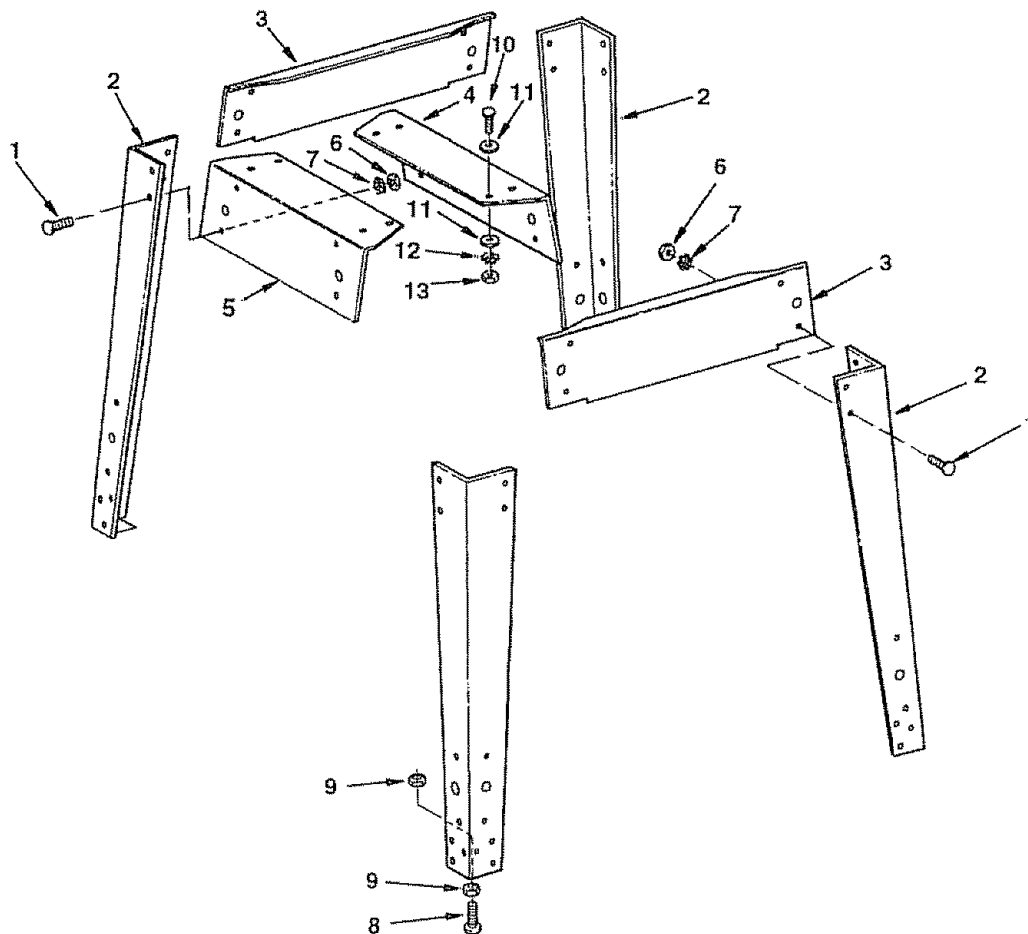
* Standard Hardware Item - May be purchased locally

† Stock Item - May be secured through the hardware department of most Sears retail stores.

Parts List for Craftsman 10 Inch Table Saw

Model No. 113.299210

Figure 7 - Leg Set



Key No.	Part No.	Description
1	805589-5	Screw, Serrated Truss Head. 1/4-20 x 1/2
2	824361	Leg
3	824363	Stiffener, Side
4	824362	Stiffener, End
5	824364-2	Stiffener, End w/Label
6	STD541025	* Nut Hex, 1/4-20
7	STD551225	* Lockwasher 1/4
8	803835-1	Foot Leveling
9	STD541237	* Nut, Hex 3/8 - 16
10	Hardware For Attaching Legs To Saw	
11	STD523112	* Screw, Hex Hd. 5/16-18 x 1-1/4
	STD551031	* Washer, 11/32 x 11/16 x 1/16
12	STD551131	* Lockwasher, Ext 5/16
13	STD541231	* Nut, Hex 5/16-18

* Standard Hardware Item - May be purchased locally

SEARS

owner's
manual

Model No.
113.299210

The model number of your 10 inch Table Saw will be found on a plate attached to your saw, at the right rear side of the base.

When requesting service or ordering parts, always provide the following information:

- Product Type
- Model Number
- Part Number
- Part Description

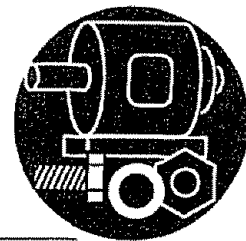
10 INCH STATIONARY TABLE SAW

For the repair or replacement parts you need

Call 7 am - 7 pm, 7 days a week

1-800-366-PART

(1-800-366-7278)



For in-home major brand repair service

Call 24 hours a day, 7 days a week

1-800-4-REPAIR

(1-800-473-7247)



For the location of a
Sears Repair Service Center in your area

Call 24 hours a day, 7 days a week

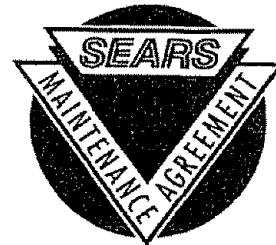
1-800-488-1222



For information on purchasing a Sears
Maintenance Agreement or to inquire
about an existing Agreement

Call 9 am - 5 pm, Monday-Saturday

1-800-827-6655



SEARS
REPAIR SERVICES
America's Repair Specialists

Sears, Roebuck and Co., Hoffman Estates, IL. 60179 U.S.A.